

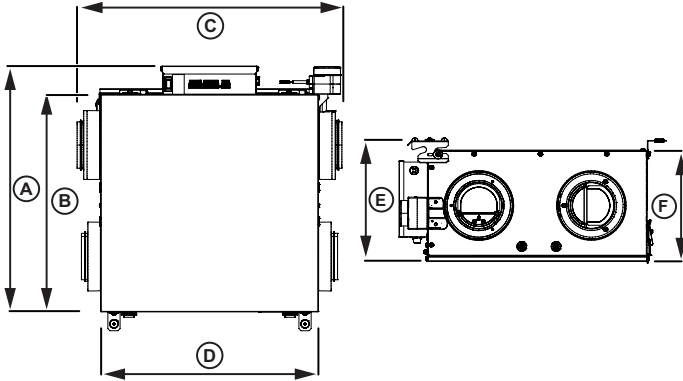
PROFILE 0.8E-D-M

Energy Recovery Ventilator (ERV)

Product #: 499505



PROFILE 0.8 E - D - M
 Product Name 80 CFM @ 0.4 in. wg. Energy Recovery Damper Mirrored



A		B		C		D		E		F	
in	mm	in	mm	in	mm	in	mm	in	mm	in	mm
18 3/16	462	20 5/8	523	21 7/8	556	18 1/4	463	10 1/16	255	9 1/4	235

All appliances feature three foot plug-in power cord with 3-prong plug.

Clearances:
 8 in. (203 mm.) in front of the product for removal of core.
 2 3/8 in. (61 mm.) above the electrical box to do the wire connections.

STANDARD FEATURES

- Warm supply and return air on the left-hand side
- Average airflow: 78 CFM (37 L/s) @ 0.4 in. wg. (100Pa)
- Compact design: 20 5/8 in. x 21 7/8 in. x 9 1/4 in. (523 mm. x 556 mm. x 235 mm.)
- Lightweight: 29 lbs (13 kg) including core
- Mechanical shutoff damper
- Easy to install on ceiling or wall with mounting bracket included
- Energy recovery core
- Electrostatic filters (washable)
- No drain required
- Removable screw terminal for easy connection with external access
- Multiple speed operation

Fan Specifications							Motor Specifications				
Line	Qty	Model No.	Tag	CFM	SP	Fan RPM	Watts	Volts	Phase	Hertz	Insulation Class
1											A
2											A
3											A

Accessory Items	1	2	3	4	Accessory Items	1	2	3	4

Project: _____ Submitted: _____
 Customer: _____ Approved: _____
 Location: _____