

Installation, Operation, and Maintenance Manual Manuel d'installation, de fonctionnement et de maintenance

Literature Item #: 464080
Rev Date: 2024-01-03
Numéro d'article de la littérature: 464080
Date de Révision: 2024-01-03

Light commercial models

Heat Recovery Ventilators



LCH-4H • LCH-7H • LCH-12H

Your ventilation system should be installed in conformance with the appropriate provincial requirements or, in the absence of such requirements, with the current edition of the National Building Code, and / or ASHRAE's "Good Engineering Practices".

Votre système de ventilation doit être installé conformément aux exigences de la province où vous habitez ou, à défaut de telles exigences, conformément à l'édition actuelle du Code national du bâtiment du Canada ou aux « méthodes d'ingénierie appropriées » de l'ASHRAE.

Canada






50 Kanalfakt Way, Bouctouche, NB, E4S 3M5
Tel.: 888.724.5211 • email: info@greentek.ca

Greentek reserves the right to modify, at any time and without notice, any or all of its products' features, designs, components and specifications to maintain their technological leadership position.
Please visit our website www.greentek.ca for more detailed technical information.

Greentek se réserve le droit de modifier partiellement ou entièrement, en tout moment et sans préavis, les caractéristiques, la conception, les composants et les spécifications de ses produits, afin de conserver sa position de leader de technologie.

S'il vous plaît visitez notre site www.greentek.ca pour des informations techniques plus détaillées.



				
Note	Warning/ Important note	Information	Technical information	Practical tip



PLEASE READ AND SAVE THESE INSTRUCTIONS

Before installation, careful consideration must be given to how this system will operate if connected to any other piece of mechanical equipment, i.e. a forced air furnace or air handler, operating at a higher static pressure. After installation, the compatibility of the two pieces of equipment must be confirmed by measuring the airflows of the Heat / Energy Recovery Ventilator. It is always important to assess how the operation of any HRV/ERV may interact with vented combustion equipment (i.e. Gas Furnaces, Oil Furnaces, Wood Stoves, etc.).

Never install a ventilator in a situation where its normal operation, lack of operation or partial failure may result in the backdrafting or improper functioning of vented combustion equipment!!!



Products are designed and manufactured to provide reliable performance, but they are not guaranteed to be 100% free of defects. Even reliable products will experience occasional failures, and this possibility should be recognized by the user. If these products are used in a life support ventilation system where failure could result in loss or injury, the user should provide adequate back-up ventilation, supplementary natural ventilation or failure alarm system, or acknowledge willingness to accept the risk of such loss or injury.

Your ventilation system should be installed in accordance with the local building code that is in effect. In absence of such requirements, it is recommended to check with local authorities having jurisdiction in your area prior to installing this product.

Table of content

INSTALLATION	
Location	4
Port Configuration	4
Installing Drain Line	5
Installing Duct Connections	6
AIRFLOW BALANCING	7
INSTALLATION EXAMPLES	
Fully Dedicated Systems	8
Partially Dedicated Systems (direct connections)	8
Partially Dedicated Systems (indirect connections)	9
Simplified Installation	9
MODES OF OPERATION	10
Speed Setting	11
WALL CONTROLS	12
MAINTENANCE	14
WIRING DIAGRAM	15
INSTALLATION VERIFICATION TEST	21
WARRANTY	21
PARTS LIST	43

Greentek Product Numbers Explained

LCH-4H

L = Lighting

C = Commercial

H = Horizontal Configuration

4 = 450 CFM

H = Heat Recovery (HRV)

Greentek Product Numbers Explained

LCH-7H

L = Lighting

C = Commercial

H = Horizontal Configuration

7 = 750 CFM

H = Heat Recovery (HRV)

Greentek Product Numbers Explained

LCH-12H

L = Lighting

C = Commercial

H = Horizontal Configuration

12 = 1200 CFM

H = Heat Recovery (HRV)

Installation

Location

The HRV must be located in a heated space where it will be possible to conveniently service the unit. Typically the HRV would be located in the mechanical room, above a drop ceiling or an area close to the outside wall where the weatherhoods will be mounted. Attic installations are not normally recommended due to extreme temperatures, and difficulty in performing required service & maintenance. If an attic is selected, special care should be taken in ensuring the unit will perform as intended. Unit may need to be protected with insulated shelter, built on site.

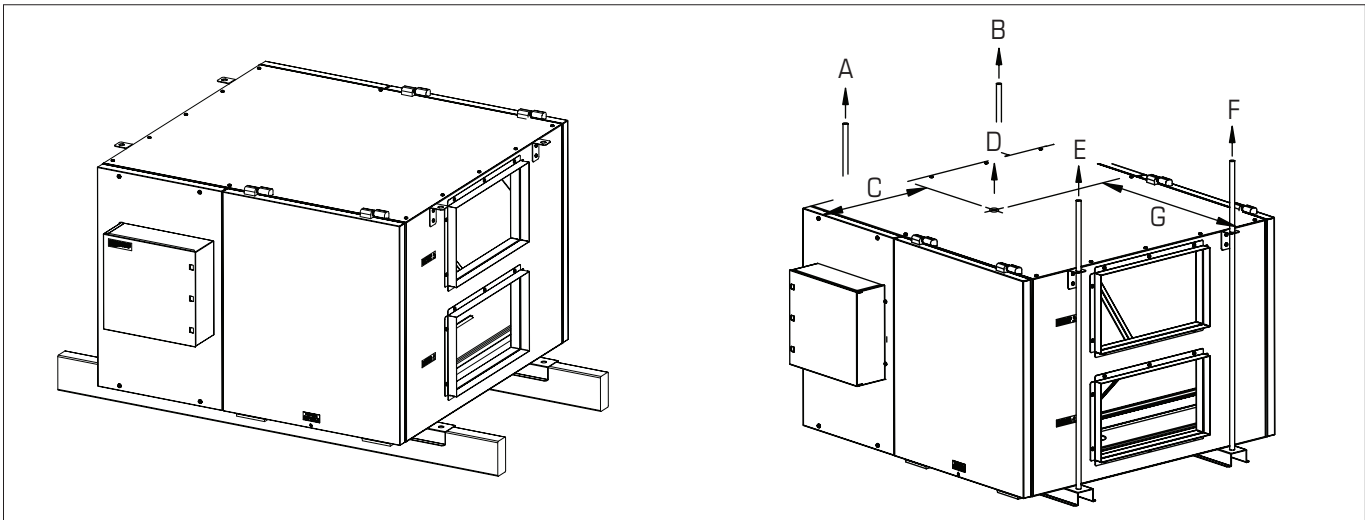
Connecting appliances to the HRV It is not recommended, including:

- clothes dryer
- kitchen exhaust hoods
- combustion venting
- central vacuum system

These appliances may cause lint, dust or grease to collect in the HRV , damaging the unit.



Connecting any of these type of appliances to the HRV will invalidate your warranty

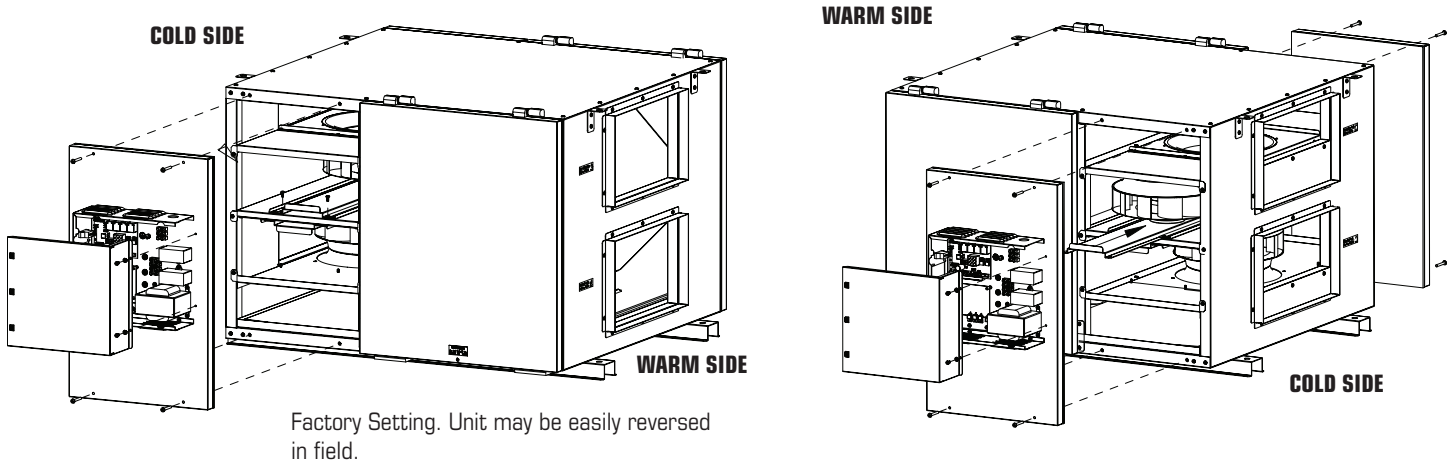


Model	A		B		C		D		E		F		G	
	Kg	lbs	Kg	lbs	in.	mm.	Kg	lbs	Kg	lbs	Kg	lbs	in.	mm.
LCH-4H	16.6	36.6	15.6	34.4	12.6	320	58	127.9	13.6	30	12.7	28	17.63	448
LCH-7H	23.8	52.5	22.5	49.6	15.4	390	85	187	20	44	18.8	41.3	17.6	448
LCH-12H	30.4	67	27	60	21.4	544	109	241	27.7	61	24.3	53.5	18	455

Port configuration

The unit has access doors on the front and back. Also, the main control panel may be moved from front to back allowing for ducting layout.

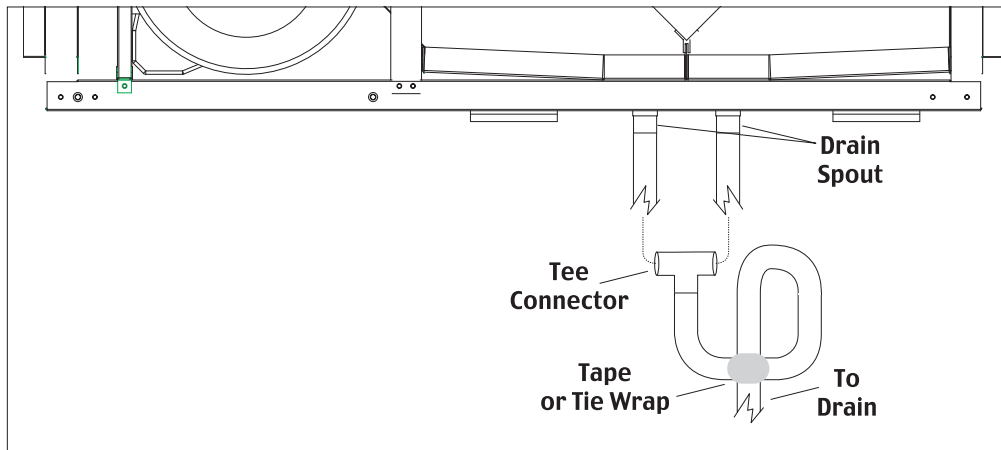
LCH-4H, LCH-7H, LCH-12H



Installing Drain Line

Through normal operation and including defrost mode, the HRV may produce some condensation. This water should flow into a nearby drain, or be taken away by a condensate pump. The HRV and all condensate lines must be installed in a space where the temperature is maintained above the freezing point. A "P" trap should be made in the drain line. This will prevent odors from being drawn back up into the unit.

Install the drain hose, making a "P" trap



Installing ducts going to / from outside

Installing the ducting to the weatherhoods

Outside weatherhoods

The weatherhoods must have built-in "bird" screens with 1/4 inch (6.35 mm) minimum mesh to prevent birds and rodents from entering into the ductwork. Do not use smaller mesh as it will be very susceptible to plugging up. The preferred location of the weatherhoods is:

- No less than 10 ft. (3 m) apart from each other.
- At least 18 inches (457.2 mm) above snow line or ground level.
- Supply hood must be kept away from sources of contaminants, such as automobile exhaust fumes, gas meters, garbage cans, containers, cooling towers, tar roofs, etc.
- Avoid prevailing winds, whenever reasonably possible.

The outside perimeter of the weatherhood must be sealed to prevent leakage into the building.

The design and size of the weatherhoods or louvers chosen by the installer must allow for adequate free area. Water and snow penetration of the system is minimized when the airflow does not exceed 1000 FPM (5.08 m/s) free area velocity.

Ducting from the weatherhoods—To and From the hrv

Galvanized sheet metal ducting with sufficient cross section with an integral single piece of insulated wrap with vapor barrier should be used to connect the HRV to the weatherhoods. The R-value of the insulation should be adequate for condensation control. Insulated flex duct may be used in moderation, if sized and installed properly. (Consult local codes)

All ducts should be sealed using a good bead of high quality caulking (preferably acoustical sealant) and a high quality aluminum foil tape, or other approved duct sealant.

Installing ducts to / from inside

To maximize airflow in the ductwork system, all ducts should be kept short and have as few bends or elbows as possible. Forty-five degree are preferred to 90° elbows. Use "Y" tees instead of 90° elbows whenever possible.

All duct joints must be fastened with screws or duct sealant and wrapped with a quality duct tape to prevent leakage. Aluminum foil duct tape is recommended.

Supply air ducting

In buildings without a forced air HVAC systems, fresh air should be supplied to all habitable areas. It should be supplied from high wall or ceiling locations. Grilles that diffuse the air comfortably such as grille {MGE (metal) } grilles with "coanda effect" are recommended.

Optional inline duct heaters may be used to add heat if required.

Direct connection to furnace/ air handler return duct

- Should you wish to hard duct the supply air directly into the cold air return of the HVAC systems, remember to check the airflow balance of the HRV with the HVAC systems fan both "on" and "off" to determine that it does not imbalance the HRV more than 10%. Make sure you respect the minimum distance from the supply air in of the HRV and the HVAC systems.
- It may be necessary to install a separate fresh air supply ductwork system if the heating is other than forced air.

When installing an HRV, the designer and installer should be aware of local codes that may require smoke detectors and/or firestats in the HVAC or HRV ductwork.

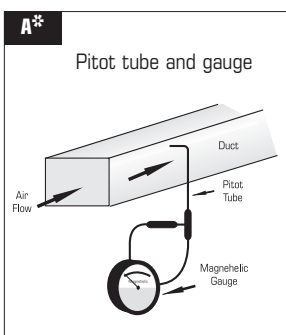
Because an HRV is designed to bring fresh air into the building, structures may require supply voltage interrupt when smoke or flame sensors are triggered, or when a central fire alarm system is activated.

Exhaust air ducting

The stale air exhaust system is used to draw air from the points in the building where the worst air quality problems occur. (See installation examples in the manual.)

Airflow balancing

- The balancing procedure consists of measuring the exhaust air leaving the system and the supply air entering the system and ensuring that these two are equal. A deviation of 10% or less is acceptable.



A The duct's airflow velocity is generally measured with a magnehelic gauge and a pitot tube.

- To avoid airflow turbulence and incorrect readings, the airflow velocity should be measured on steel ducting a minimum of 3 duct cross-sections from the unit or elbow and before any transition.



A professional air balancer should be contacted to commission the system properly. A skilled HVAC Tech may complete the balance of air providing they possess the proper equipment. Call Greentek Technical support for assistance.

Installation examples

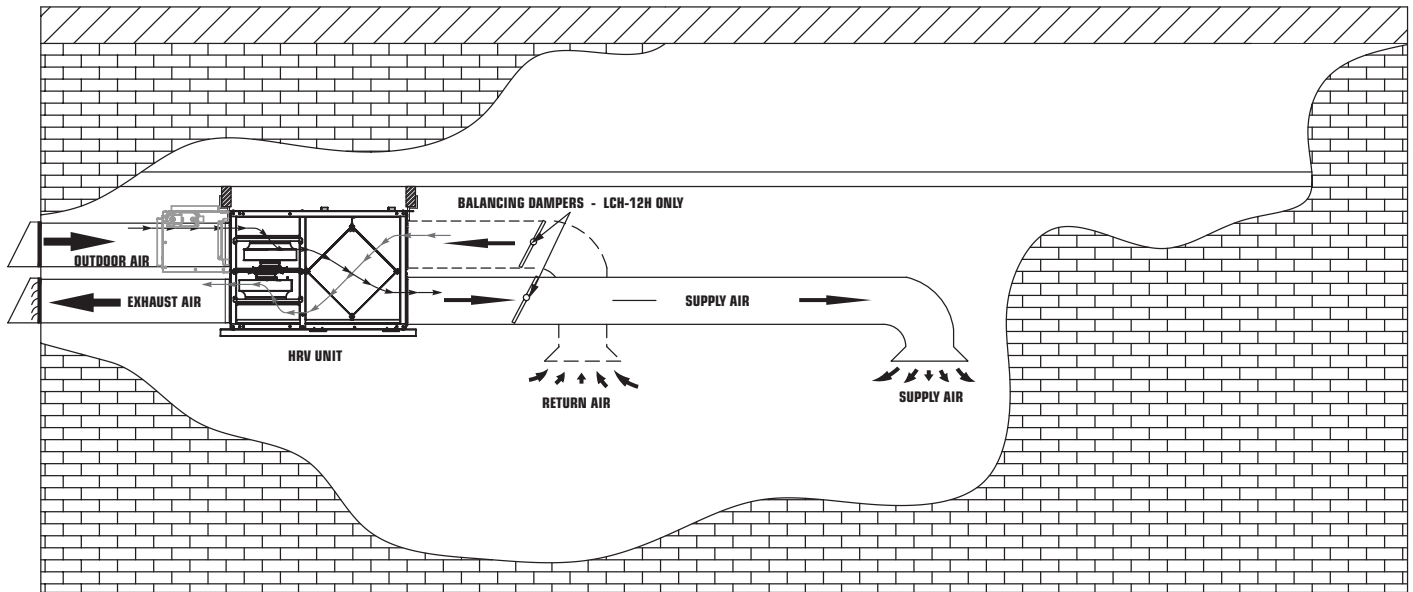


* Drawings are illustrations only and actual port locations and airflow directions may vary, consult unit spec sheets.

It is the responsibility of the installer to ensure all ductwork is sized and installed as designed to ensure the system will perform as intended. The amount of air (CFM) that an HRV will deliver is directly related to the total external static pressure (E.S.P.) of the system. Static pressure is a measure of resistance imposed on the blower by length of duct work/number of fittings used in duct work, duct heater etc.

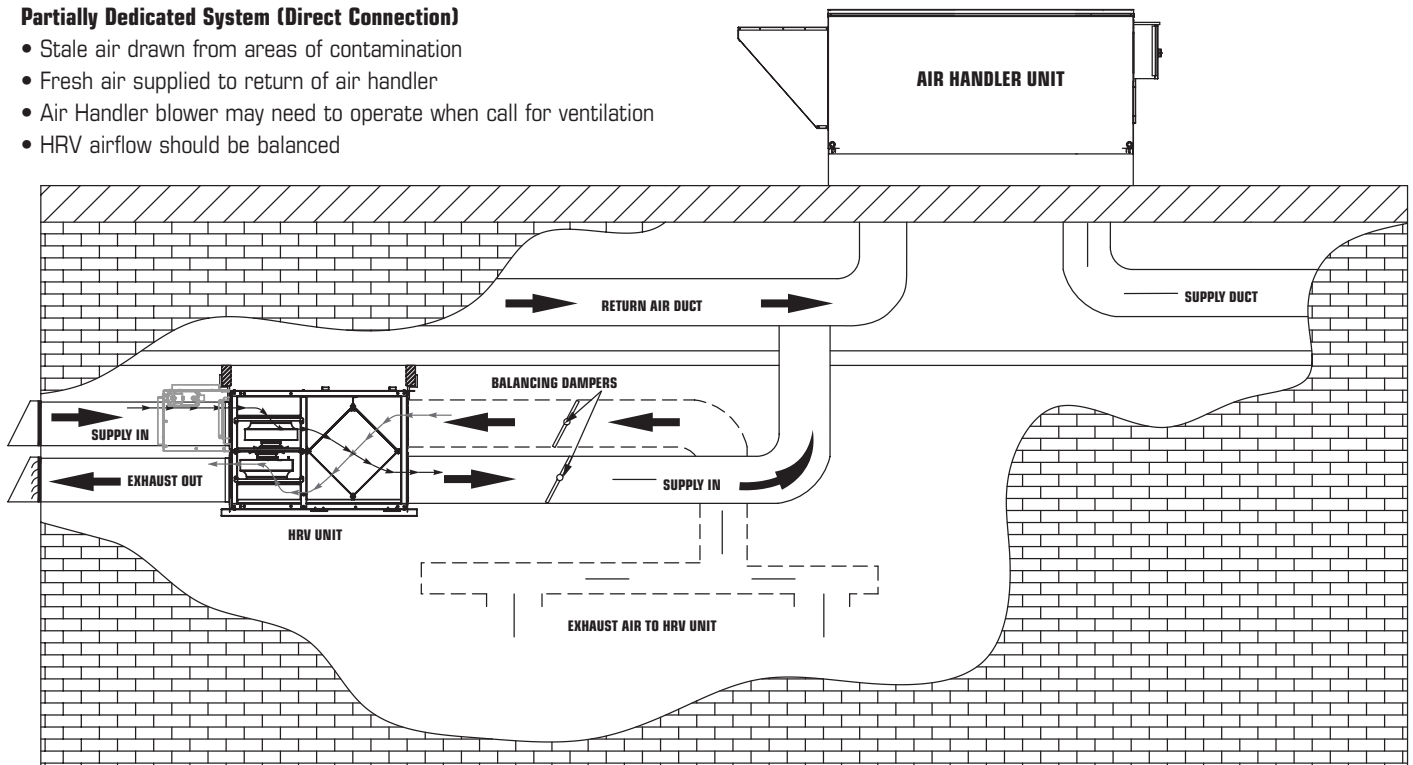
Fully Dedicated System

- Stale air drawn from areas of contamination
- Fresh air supplied to main areas
- HRV airflow should be balanced
- External heating or cooling coil may be needed if air is not able to mix comfortably.



Partially Dedicated System (Direct Connection)

- Stale air drawn from areas of contamination
- Fresh air supplied to return of air handler
- Air Handler blower may need to operate when call for ventilation
- HRV airflow should be balanced



Installation examples (Cont'd)

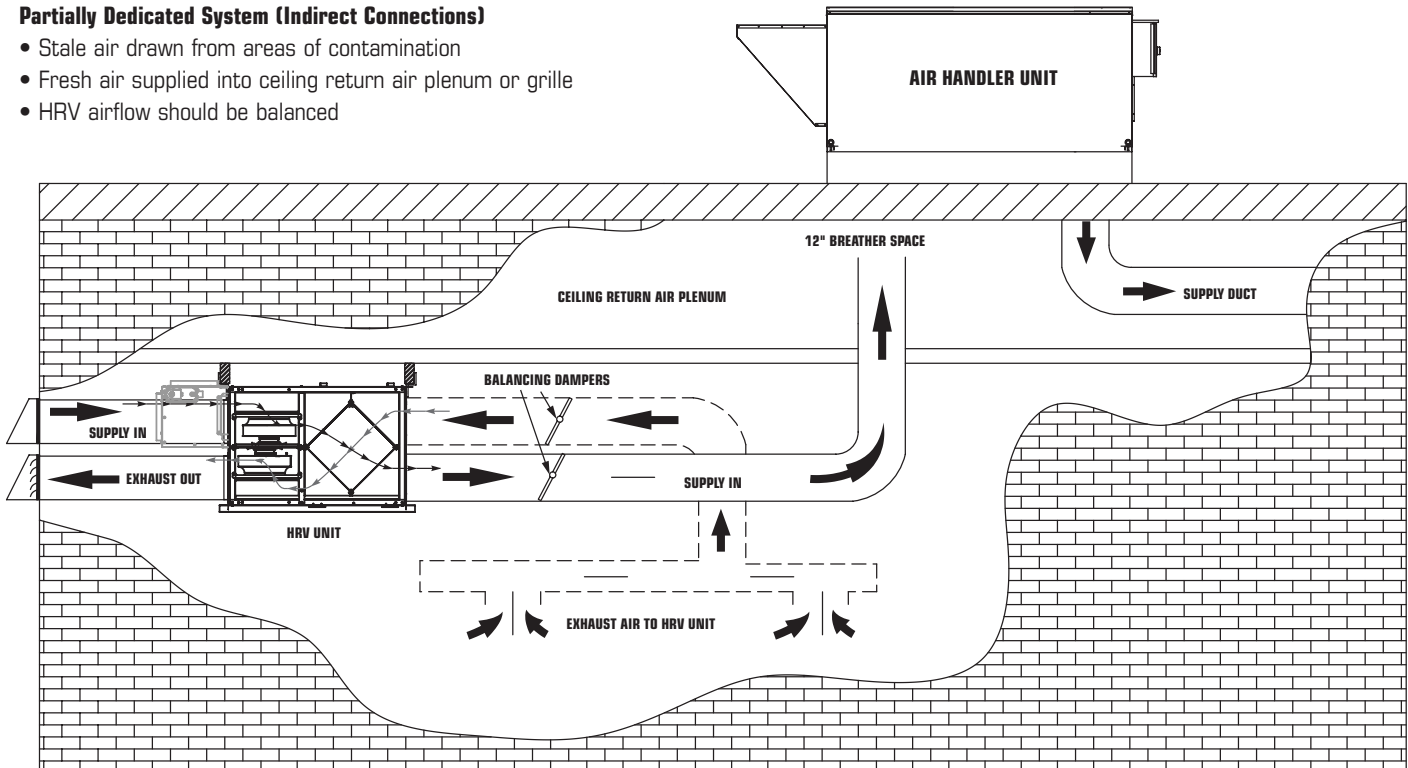


* Drawings are illustrations only and actual port locations and airflow directions may vary, consult unit spec sheets.

It is the responsibility of the installer to ensure all ductwork is sized and installed as designed to ensure the system will perform as intended. The amount of air (CFM) that an HRV will deliver is directly related to the total external static pressure (E.S.P.) of the system. Static pressure is a measure of resistance imposed on the blower by length of duct work/number of fittings used in duct work, duct heater etc.

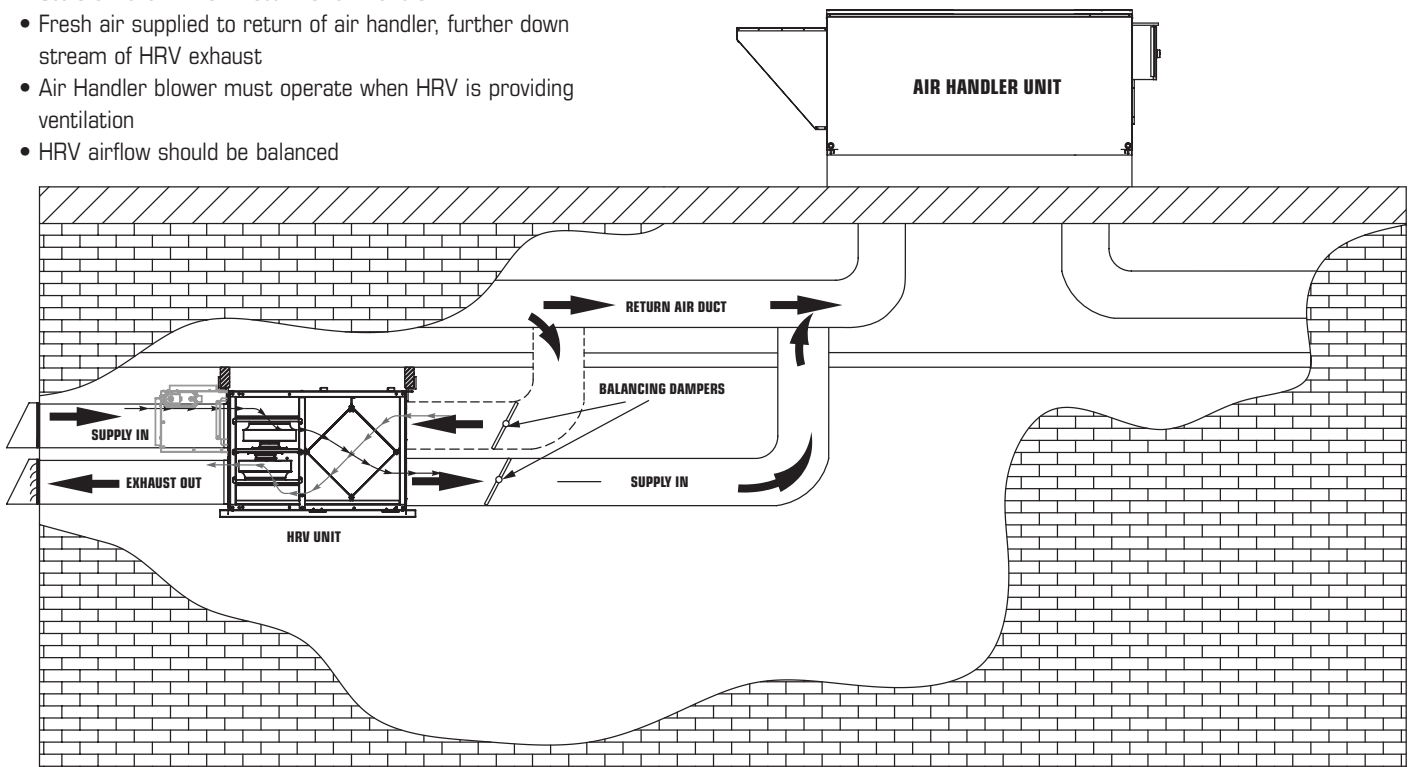
Partially Dedicated System (Indirect Connections)

- Stale air drawn from areas of contamination
- Fresh air supplied into ceiling return air plenum or grille
- HRV airflow should be balanced



Simplified Installation

- Stale air drawn from return of air handler
- Fresh air supplied to return of air handler, further down stream of HRV exhaust
- Air Handler blower must operate when HRV is providing ventilation
- HRV airflow should be balanced



Modes of operation

1. Continuous / Ventilation Mode

In this mode of operation both fans are operating and exchanging air with the outside. The heat recovery ventilator (HRV) constantly exchanges the air at the rate you select, either at low or medium speed, and switches to high speed when activated by an optional remote control. The "Low (reduced)" and "High (Normal)" fan speed selection will cause the unit to operate in continuous exchange mode at a reduced exchange rate. Continuous mode is recommended, since pollutants are slowly but constantly being generated in a building.

2. Intermittent / Standby Mode

The system is always on standby and operates at high speed when activated by an optional remote control (required): "Standby" should be selected if the user wishes to stop the unit from continuous exchange.

3a. Defrost by evacuation

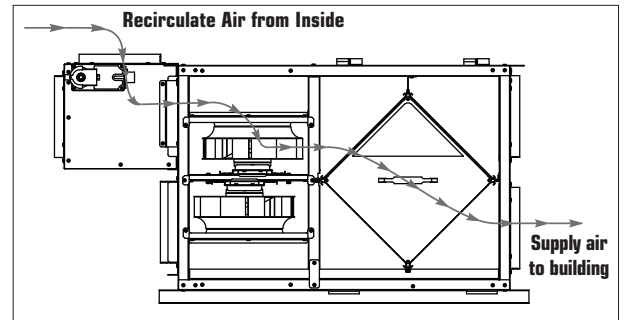
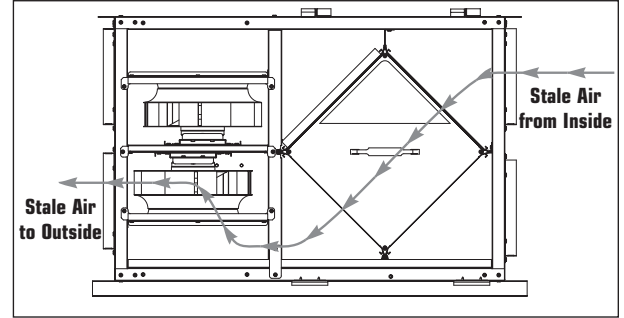
A preset defrost sequence is activated at an outdoor air temperature of 23°F (-5°C) and lower:

During the defrost sequence, the supply blower shuts down & the exhaust blower continues to ventilate for a preset time. The unit then returns to normal operation, and continues the cycle.

3b. Defrost by recirculation (only available with GTDMK module)

A preset defrost sequence is activated at an outdoor air temperature of 23°F (-5°C) and lower:

During the defrost sequence, the motorized damper in the bypass module (GTDMK) temporarily blocks the incoming fresh air stream so that the warm air from the room can circulate through the HRV. The exhaust blower shuts down and the supply blower switches into high speed to maximize the effectiveness of the defrost strategy. During this cycle, the unit will not create a negative pressure. Please note that these systems are configured to defrost with the GTDMK devices installed on the fresh air from outside port. Alternate configuration are available by contacting our technical support department.

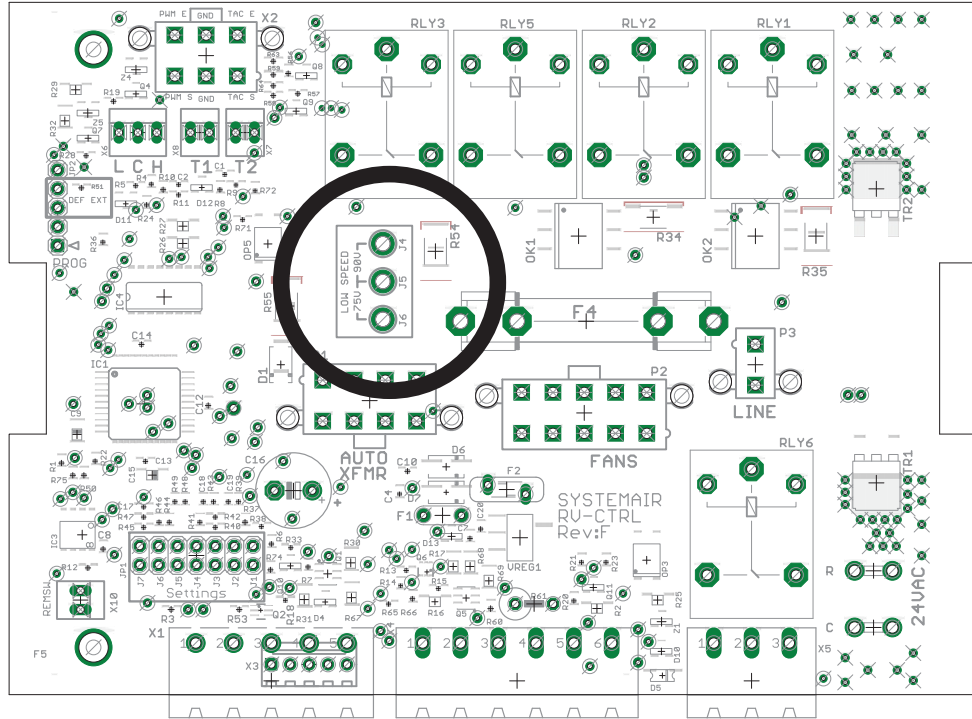


Setting low speed

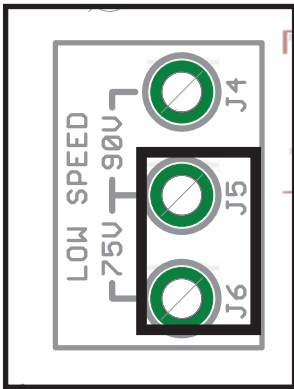
! **CAUTION** MAKE SURE THE POWER TO THE UNIT IS DISCONNECTED BEFORE MAKING ANY CHANGES

The ERV is shipped from the factory on low speed, intermittent operation can be obtained by toggling switch located on outside of cabinet.

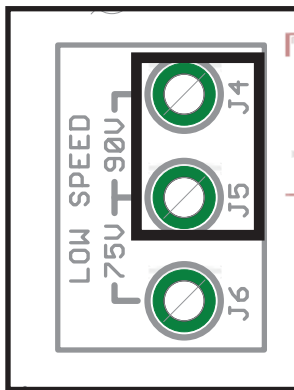
The voltage selection for low (reduced) speed of the unit is done via jumpers shown in the illustration below. The default setting 75V.



Configurable speed control for low (reduced) speed



Low: 75V
(Factory Default)



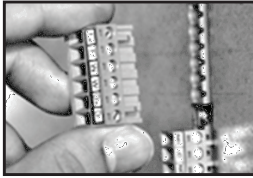
Low: 90V

WALL CONTROLS

* Please see instruction manuals for individual controls for proper wiring and set up of control systems.



1. Ensure that unit is not plugged when connecting the control
2. Recirculation mode is only available in the Solace series and the C3.14 model.


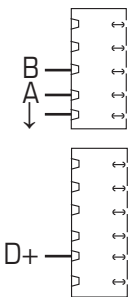

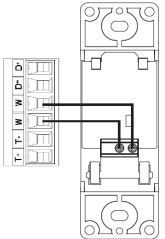
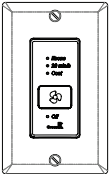


The wiring connectors can be removed for easier connection.

CENTRAL CONTROLS

These cannot be used with another central control

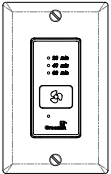
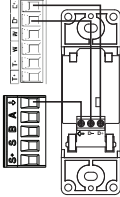

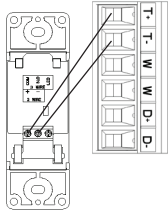

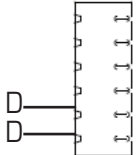
*Maintain polarity between control and ERV (+ → + ; - → -)

	FEATURES	CONNECT TO
<p>STS 2.0</p> 	<ul style="list-style-type: none"> • Our most complete, yet easy-to-use control system • Sleek design with backlight touchscreen LCD • ECO mode selects the best operating mode and speed for the season, minimizing energy use associated with ventilation • Set preferred indoor relative humidity range and ventilation mode for day and night conditions • No battery to replace, all programmed settings are retained during power outages • Maintenance reminder indicator • Error code messages reduce troubleshooting time 	
<p>EHC 2.5</p> 	<ul style="list-style-type: none"> • Three (3) modes of operation: Ventilation Mode, Recirculation Mode, Stand by Mode. • Once you've selected the operation mode, the fan speed can be selected: Reduced, Medium, Normal or 20min/h using the arrow buttons. • Ventilation Mode: The ventilation system takes stale air from inside your home and replaces it with fresh outdoor air while recovering the energy of the air that's exhausted to the outside. • Recirculation Mode: Your ventilation system takes air from areas of your home and redistributes it in other rooms to avoid stagnant air areas and to distributes heated or cooled air. No outdoor air is introduced to the building. • Standby Mode: The ventilation system is inactive unless the indoor relative humidity is above the setpoint on the control or a timer switch (installed separately) is activated. 	
<p>EHC 2.0</p> 	<ul style="list-style-type: none"> • An electronic wall control that is compatible with all Greentek HRV/ERV models. This control activates the system on 3 possible modes of operation: ECONO, 20 MIN/H, CONT. • ECONO Continuous operation in ventilation mode at low or medium speed. • 20 MIN/H 20 minutes ON, 40 minutes OFF Intermittent (Yellow) • CONT Continuous high speed in ventilation or recirculation mode. • OFF Standby mode, both fans off 	

WALL CONTROLS (CONT'D)

AUXILIARY CONTROL –These controls can be paired with central controls or combined together.

*Maintain polarity between control and ERV (+ → + ; - → -)

T SERIES	FEATURES	CONNECTS TO
<p>T4*</p> 	<ul style="list-style-type: none"> • 20- minute timer with LED light • Boosts system to high speed with the touch of a button • Up to 5 can be used in one system • Use in bathroom, kitchen, laundry room 	
<p>T5*</p> 	<ul style="list-style-type: none"> • 20/40/60 minute timer with LED light • Boosts system to high speed with the touch of a button • Up to 5 can be used in one system • Use in bathroom, kitchen, laundry room 	
<p>RD-1</p> 	<ul style="list-style-type: none"> • Rotary dial Dehumidistat • Multiple units can be used • We recommend setting the relative humidity above 80% during the summer 	

Maintenance

! **CAUTION** MAKE SURE UNIT IS UNPLUGGED BEFORE ATTEMPTING ANY MAINTENANCE WORK

The following components should also be inspected regularly and well maintained.

The motor - The motors are factory balanced and lubricated for life. They require no maintenance.

The unit - The inside of the unit should be wiped clean as needed.

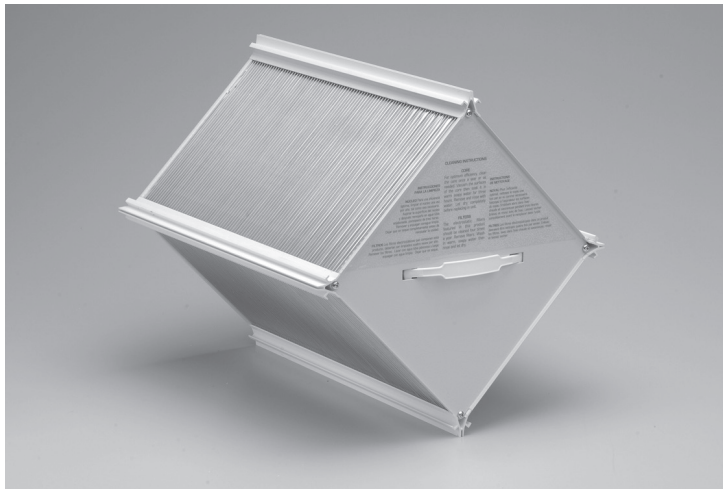
Condensation Pan - Units with drain hoses should have their line and connection checked regularly.

Outside hoods - The outside hoods need to be checked every season to make sure there are no leaves or insects blocking the airflow. Check regularly that there are no pollutants near the intake hood. Make sure they are clear of any snow accumulation during the winter months.

Filters

The filters need to be checked and cleaned once a month or when they appear dirty.

Fixed plate



Clean core on a average every 3-6 months or as needed.

- a) Open access door & remove filters.
- b) Carefully grip ends of core and pull evenly outward. Core may be snug, but will slide out of the channel.
- c) Wash the core in warm soapy water or light coil solution.
- d) Install clean core
- e) Install the clean filters
- f) Replace access door

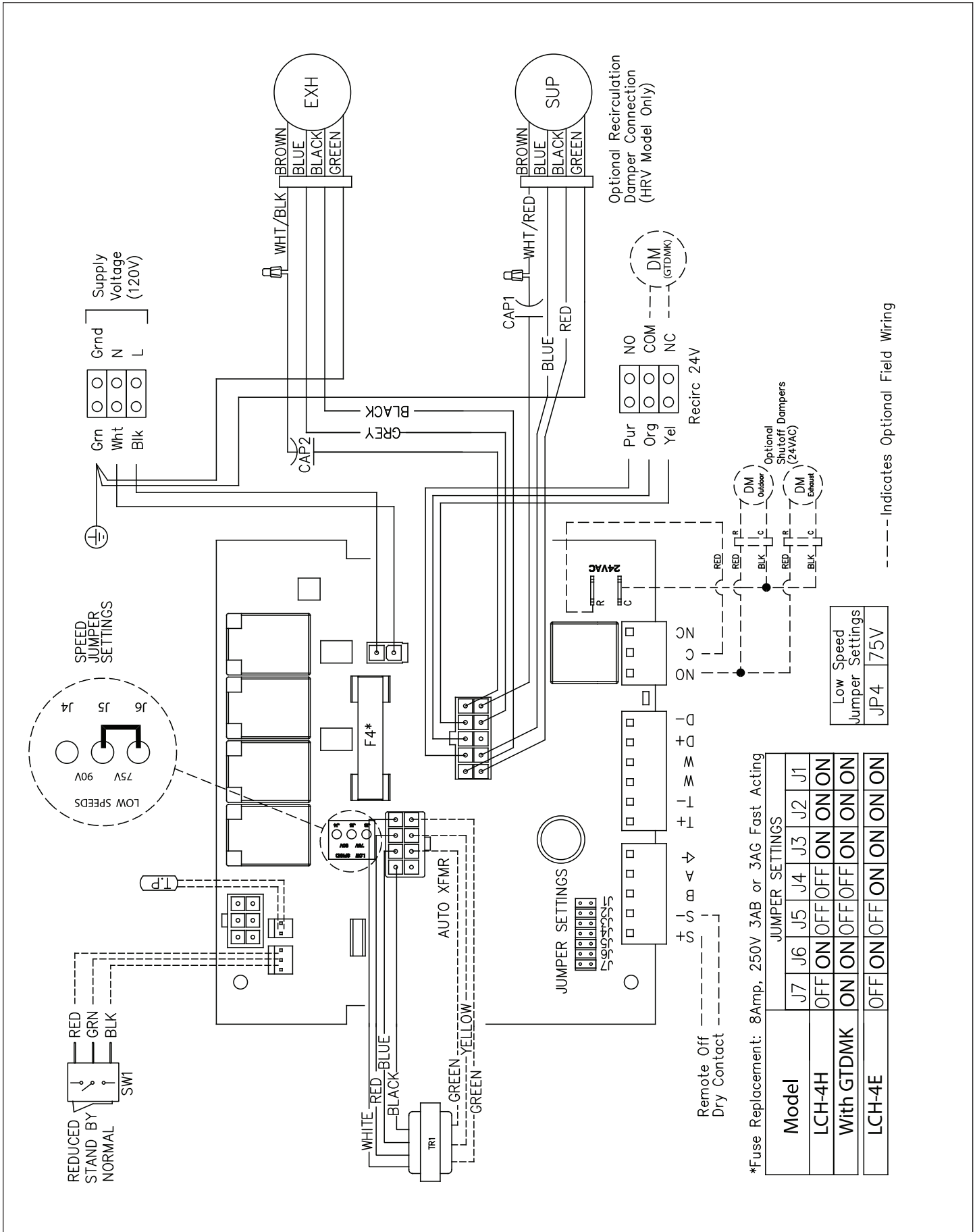


Core installation label on the outer end of the core.

To install the clean Core and Filters.

- a) First mount the bottom flange of the core guide into the bottom channel approximately 1/4" (6mm)
- b) Mount the left or right side flange of the core guide approximately 1/4" (6mm) followed by the other side
- c) Mount the top flange of the core guide into the top channel approximately 1/4" (6mm)
- d) With all four corners in place and the core straight and even, push hard in the centre of the core until the core stops on the back of the cabinet.

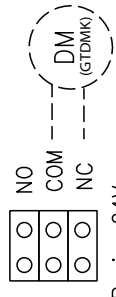
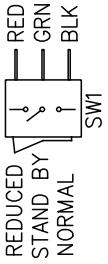
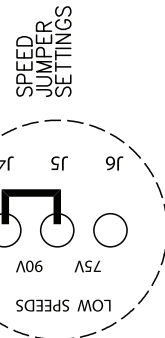
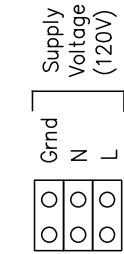
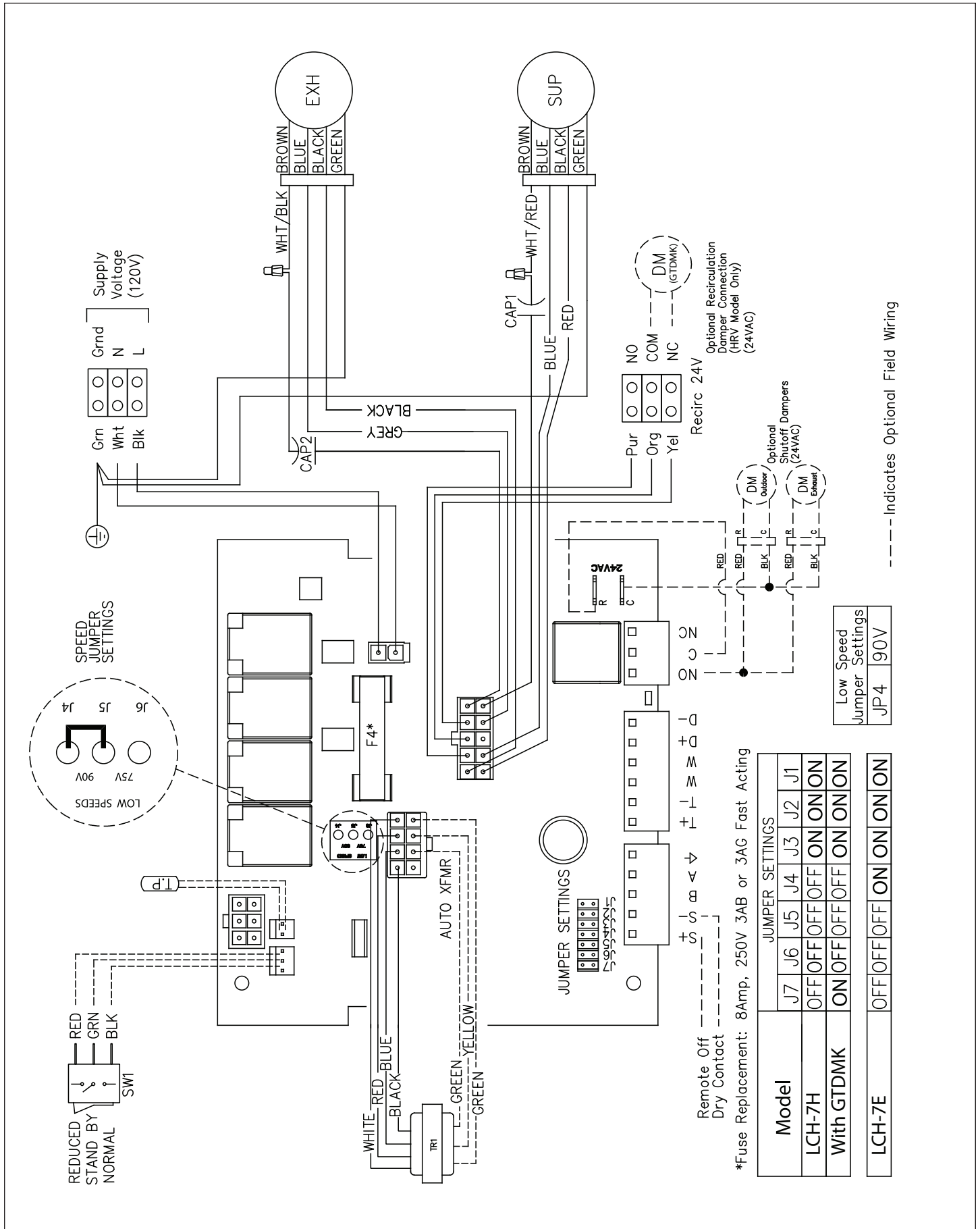
Wiring Diagram LCH-4H



*Fuse Replacement: 8Amp, 250V 3AB or 3AG Fast Acting

Model	JUMPER SETTINGS						
	J7	J6	J5	J4	J3	J2	J1
LCH-4H	OFF	ON	OFF	OFF	ON	ON	ON
With GTDMK	ON	ON	OFF	OFF	ON	ON	ON
LCH-4E	OFF	ON	OFF	ON	ON	ON	ON

Wiring Diagram LCH-7H



*Fuse Replacement: 8Amp, 250V 3AB or 3AG Fast Acting

Model	JUMPER SETTINGS							
	J7	J6	J5	J4	J3	J2	J1	
LCH-7H	OFF	OFF	OFF	OFF	ON	ON	ON	ON
With GTDMK	ON	OFF	OFF	OFF	ON	ON	ON	ON
LCH-7E	OFF	OFF	OFF	ON	ON	ON	ON	ON

Low Speed Jumper Settings	
JP4	90V

----- Indicates Optional Field Wiring

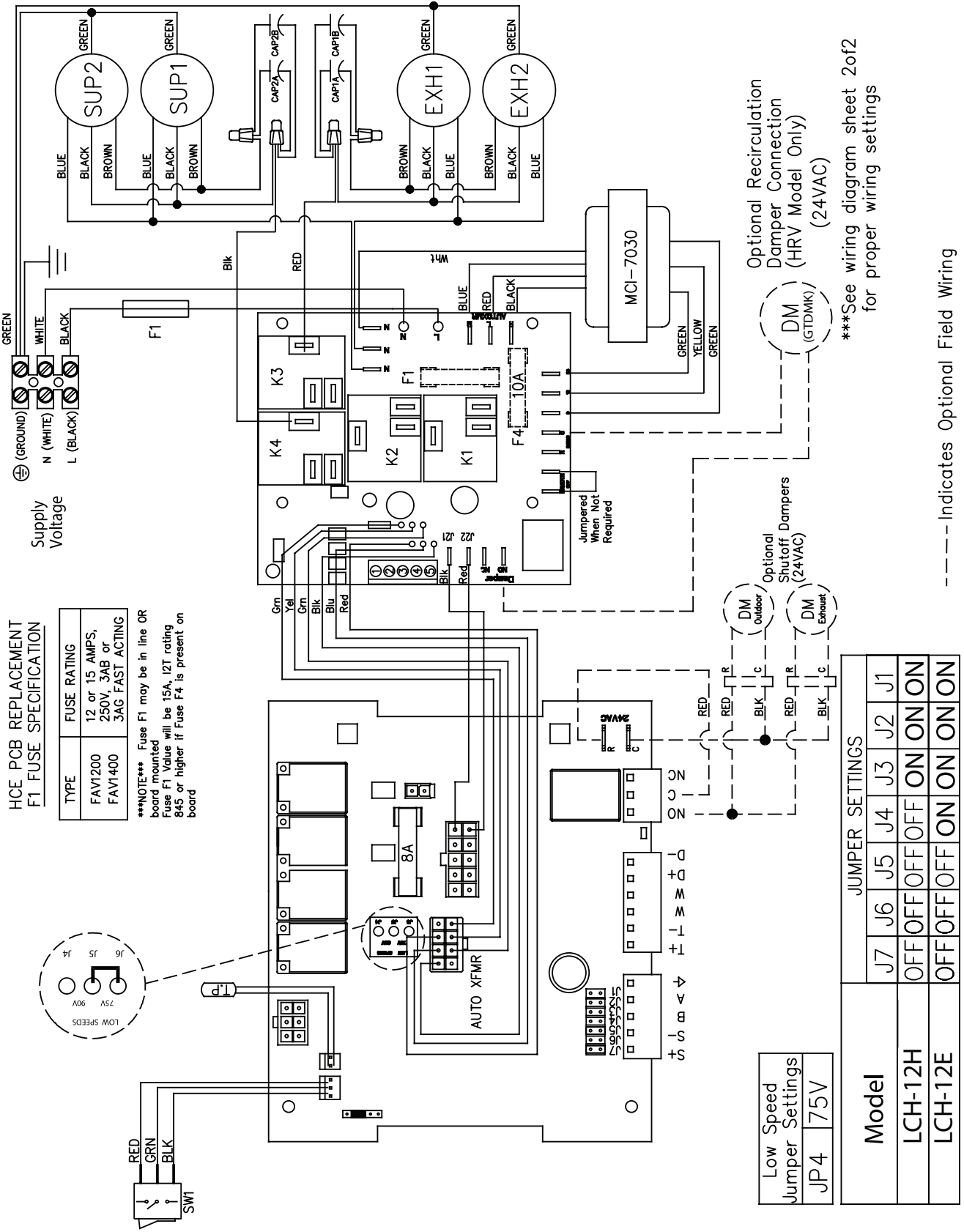
Wiring Diagram LCH-12H

Fan Shutdown Defrost Wiring

HCE PCB REPLACEMENT F1 FUSE SPECIFICATION

TYPE	FUSE RATING
FAV1200	12 or 15 AMPS, 250V, 3AB or 3AG FAST ACTING
FAV1400	

NOTE Fuse F1 may be in line OR board mounted
Fuse F1 Value will be 15A, I2T rating 845 or higher if Fuse F4 is present on board



Low Speed Jumper Settings	JP4	75V

Model	JUMPER SETTINGS						
	J7	J6	J5	J4	J3	J2	J1
LCH-12H	OFF	OFF	OFF	OFF	ON	ON	ON
LCH-12E	OFF	OFF	OFF	OFF	ON	ON	ON

Optional Recirculation Damper Connection (HRV Model Only) (24VAC)

DM (GTD/MK)

Optional Shutoff Dampers (24VAC)

DM Outdoor

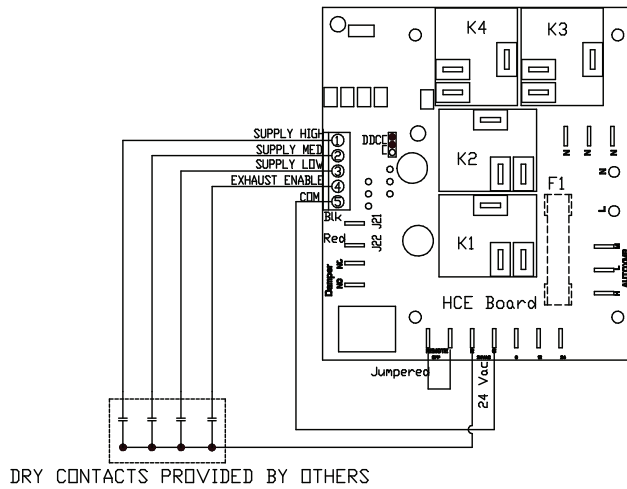
DM Exhaust

***See wiring diagram sheet 2 of 2 for proper wiring settings

----- Indicates Optional Field Wiring

Wiring Diagram LCH-12H (Cont'd) DDC Wiring Guide

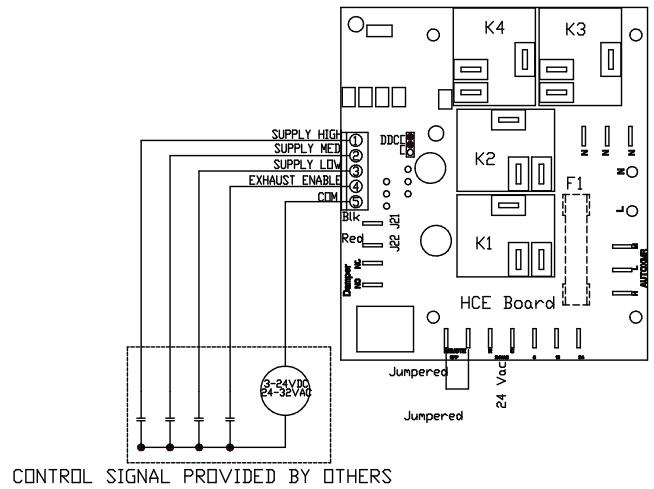
DDC CONTROL WIRING WITH DAMPER DEFROST (ONBOARD 24VAC)



DRY CONTACTS PROVIDED BY OTHERS

NOTE: ENSURE JUMPER ON HCE BOARD IS CHANGED FROM "NORMAL" TO "DDC"

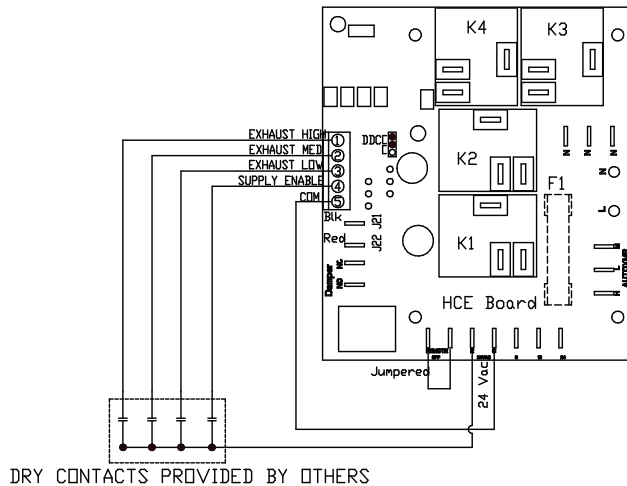
DDC CONTROL WIRING WITH DAMPER DEFROST (EXTERNAL CONTROL SIGNAL)



CONTROL SIGNAL PROVIDED BY OTHERS

NOTE: ENSURE JUMPER ON HCE BOARD IS CHANGED FROM "NORMAL" TO "DDC"

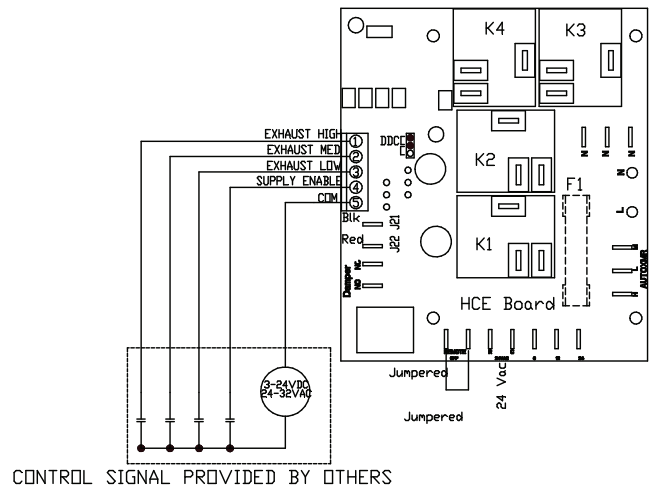
DDC CONTROL WIRING W/O DAMPER DEFROST (ONBOARD 24VAC)



DRY CONTACTS PROVIDED BY OTHERS

NOTE: ENSURE JUMPER ON HCE BOARD IS CHANGED FROM "NORMAL" TO "DDC"

DDC CONTROL WIRING W/O DAMPER DEFROST (EXTERNAL CONTROL SIGNAL)



CONTROL SIGNAL PROVIDED BY OTHERS

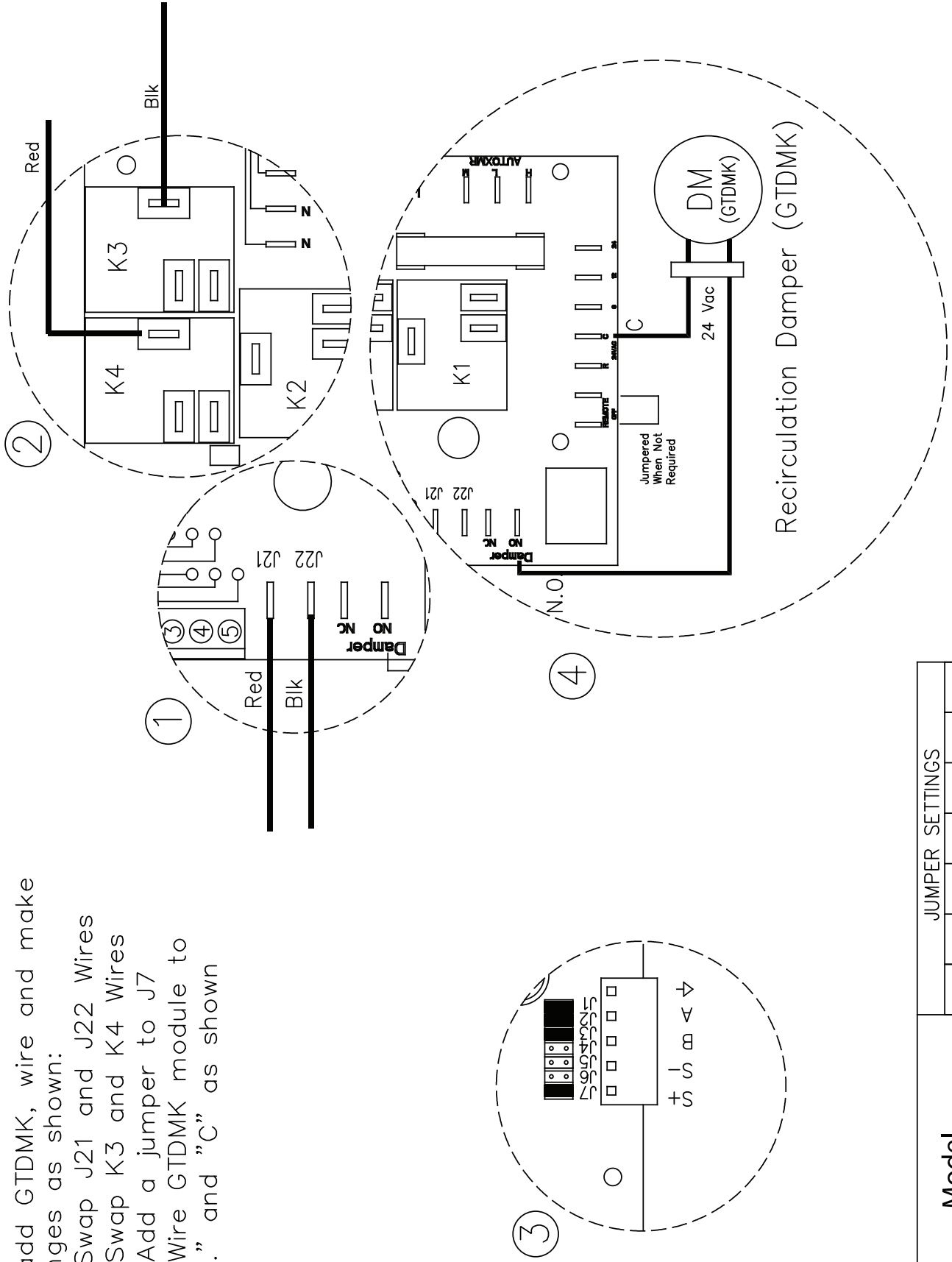
NOTE: ENSURE JUMPER ON HCE BOARD IS CHANGED FROM "NORMAL" TO "DDC"

Wiring Diagram LCH-12H (Cont'd)

Recirculation Defrost (with GTDMK) Wiring

To add GTDMK, wire and make changes as shown:

- (1) Swap J21 and J22 Wires
- (2) Swap K3 and K4 Wires
- (3) Add a jumper to J7
- (4) Wire GTDMK module to "N.O." and "C" as shown



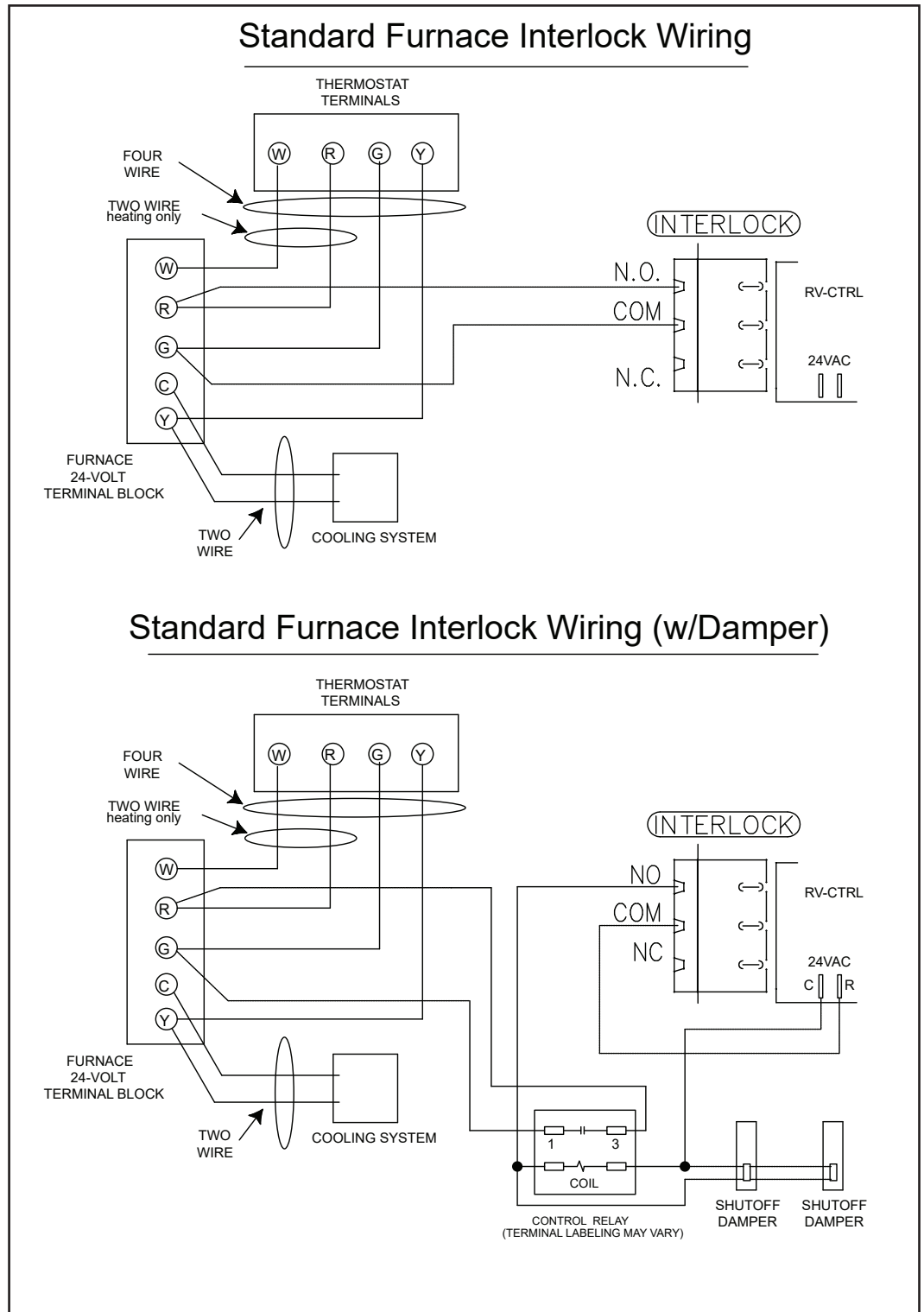
Model	JUMPER SETTINGS						
	J7	J6	J5	J4	J3	J2	J1
LCH-12H With GTDMK	ON	OFF	OFF	OFF	OFF	ON	ON

WIRING DIAGRAM (CONT'D)

WIRING DIAGRAM TO FURNACE



FOR A FURNACE CONNECTION TO A COOLING SYSTEM:



As per building codes and installation requirements for combustion appliances:
Air return ducts, or openings for air return, should not be placed in enclosed spaces containing combustion appliances that are subject to spillage.

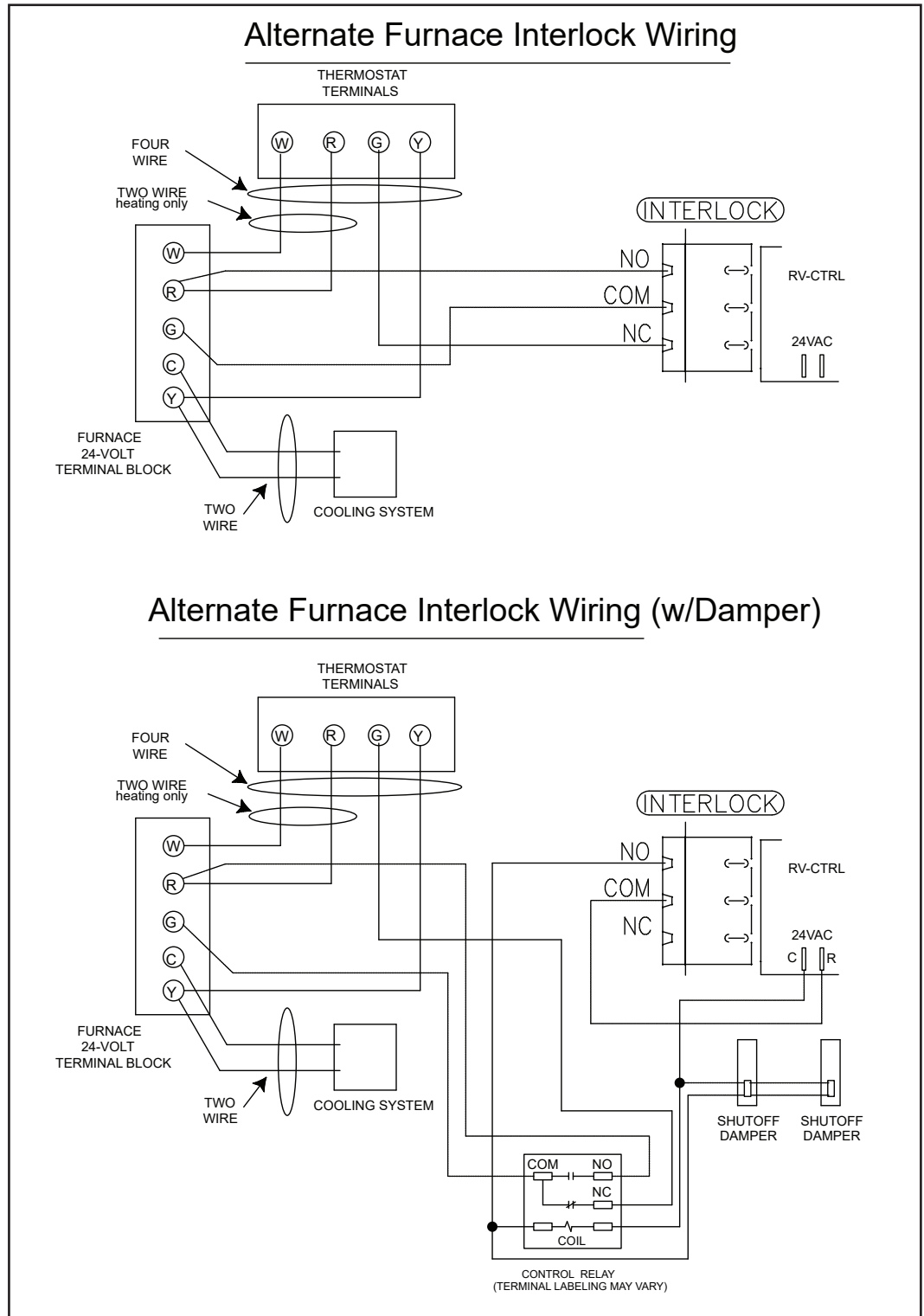
WIRING DIAGRAM (CONT'D)

WIRING DIAGRAM TO FURNACE



ALTERNATE FURNACE CONNECTION:

On some newer furnaces and older thermostats, energizing the R and G terminal at the furnace has the effect of energizing the Y at the thermostat and thereby turning on the cooling system. If you identify this type of thermostat, you must use the "Alternate Furnace Interlock Wiring"



As per building codes and installation requirements for combustion appliances:
Air return ducts, or openings for air return, should not be placed in enclosed spaces containing combustion appliances that are subject to spillage.

Installation Verification Test

Without external control

1. Fan speed selector switch
 - Set fan Speed selector switch to Standby.
2. Start-up
 - Apply power to unit
 - Unit should enter **Exhaust only defrost** mode for a 10 second duration and the following should occur:
 - Exhaust fan runs in HIGH (Normal) speed
 - Supply fan remains off
3. Standby
 - Following the start-up unit should enter **Standby** mode. The following should occur:
 - Exhaust fan shuts off
 - Supply fan remains off
4. LOW (reduced) speed
 - Set fans speed selector switch LOW (Reduced) speed. The following should occur:
 - Exhaust fan runs in LOW (Reduced) speed
 - Supply fan runs in LOW (Reduced) speed
5. HIGH (normal) speed
 - Set fans speed selector switch HIGH (normal) speed. The following should occur:
 - Exhaust fan ramps up to HIGH (normal) speed
 - Supply fan ramps up to HIGH (normal) speed
6. Test completion
 - Set fan speed selector switch to desired setting
 - Installation Verification test is complete

With external control

1. Start-up
 - Apply power to unit
 - Unit should enter **Exhaust only defrost** mode for a 10 second duration and the following should occur:
 - Exhaust fan runs in HIGH (normal) speed
 - Supply fan remains off
2. External control
 - Following start-up unit will respond to external control
 - Consult user manual/instruction provided with external controller and ensure unit responds appropriately.
3. Test completion
 - Installation Verification test is complete

Limited Warranty

- The heat recovery core is backed by a lifetime warranty.
- The warranty is limited to 3 years on parts and motors from the date of purchase, including parts replaced during this time period. If there is no proof of purchase available, the date associated with the serial number will be used for the beginning of the warranty period.
- The limited warranty covers normal use. It does not apply to any defects, malfunctions or failures as a result of improper installation, abuse, mishandling, misapplication, fortuitous occurrence or any other circumstances outside Greentek's control.
- Inappropriate installation or maintenance may result in the cancellation of the warranty.
- Any unauthorized work will result in the cancellation of the warranty.
- Greentek is not responsible for any incidental or consequential damages incurred in the use of the ventilation system.
- Greentek is not responsible for providing an authorized service centre near the purchaser or in the general area.
- Greentek reserves the right to supply refurbished parts as replacements.
- Transportation, removal and installation fees are the responsibility of the purchaser.
- The purchaser is responsible to adhering to all codes in effect in his area.

[§] This warranty is the exclusive and only warranty in effect relative to the ventilation system and all other warranties either expressed or implied are invalid.

Manuel d'installation, de fonctionnement et de maintenance

Commerciaux

Ventilateur récupérateur de chaleur



LCH-4H • LCH-7H • LCH-11H

Votre système de ventilation doit être installé conformément aux exigences de la province où vous habitez ou, à défaut de telles exigences, conformément à l'édition actuelle du Code national du bâtiment du Canada ou aux « méthodes d'ingénierie appropriées » de l'ASHRAE.






Canada

50 Kanalfakt Way, Bouctouche, NB, E4S 3M5
Tél.: 888.724.5211 • email: info@greentek.ca

Greentek se réserve le droit de modifier partiellement ou entièrement, en tout moment et sans préavis, les caractéristiques, la conception, les composants et les spécifications de ses produits, afin de conserver sa position de leader de technologie.

S'il vous plaît visitez notre site www.greentek.ca pour des informations techniques plus détaillées.



				
Note	Avertissement/ Note importante	Information	Information technique	Conseil pratique



VEUILLEZ LIRE ET CONSERVER CES INSTRUCTIONS

Avant de procéder à l'installation, examinez avec soin la façon dont le système fonctionnera s'il est relié à tout autre appareil mécanique, notamment une fournaise à air pulsé ou un appareil de traitement d'air dont la pression statique est plus élevée. Une fois l'installation terminée, la compatibilité des deux appareils doit être confirmée en mesurant le débit d'air du ventilateur récupérateur de chaleur (VRC) au moyen de la procédure d'équilibrage du présent manuel. Il importe de toujours évaluer l'interaction du VRC avec les appareils de chauffage à évacuation (fournaise à gaz, fournaise à mazout, poêle à bois, etc.)

Ne jamais installer un ventilateur dans une situation où son fonctionnement normal, le manque de fonctionnement ou une panne partielle pourrait entraîner un refoulement ou un mauvais fonctionnement des appareils de combustion ventilés!



Les produits sont conçus et fabriqués pour fournir une performance fiable, mais ils ne sont pas garantis à 100% sans défaut. Même les produits ont des pannes occasionnelles et cette possibilité devrait être reconnue par l'utilisateur. Si ces produits sont utilisés dans un système de ventilation qui maintient des fonctions vitales où une défaillance pourrait entraîner des pertes ou des blessures, l'utilisateur doit fournir une ventilation de secours adéquate, une ventilation supplémentaire naturelle, un système d'alarme de défaillance ou d'accepter les risques de pertes ou de blessures.

Votre système de ventilation doit être installé en conformité avec le code du bâtiment local qui est en vigueur, en l'absence de telles exigences, il est recommandé de vérifier auprès des autorités locales ayant juridiction dans votre région avant d'installer ce produit.

Table des matières

INSTALLATION	
Emplacement25
Configuration des ports26
Installer la conduite de récupération des fluides26
Installation des conduits.27
ÉQUILIBRAGE DU DÉBIT D'AIR28
EXEMPLES D'INSTALLATION	
Système entièrement dédié29
Système partiellement dédié (connexion directe).29
Système partiellement dédié (connexion indirecte)30
Installation simplifié30
MODES DE FONCTIONNEMENT31
Configurer la vitesse32
SYSTÈMES DE CONTRÔLE À BASSE TENSION.33
ENTRETIEN.35
CONNEXIONS ÉLECTRIQUES36
TEST DE VÉRIFICATION DE L'INSTALLATION42
LIST DES COMPOSANTES43

Comprendre les numéros de produit Greentek

SHR 700

700 = 700pcm @0.4 W.G

S = Side Ducting (gaine latérale)

H = Heat Recovery (récupérateur de chaleur)

R = Remote Control Option (option de commande à distance)

Installation

EMPLACEMENT

Le ventilateur-récupérateur de chaleur doit être situé dans un endroit chauffé où il est possible d'en faire l'entretien facilement. Généralement, le ventilateur-récupérateur de chaleur se situe dans la chambre des appareils mécaniques, au-dessus d'un plafond suspendu ou dans un endroit près du mur extérieur où on installera les capots.

On ne recommande habituellement pas les installations dans les greniers en raison des températures extrêmes qu'on peut y retrouver et de la difficulté d'y effectuer l'entretien nécessaire. Si on choisit d'installer l'appareil dans un grenier, on doit prendre des précautions particulières pour s'assurer que celui-ci fonctionnera comme prévu. On pourra protéger l'appareil avec un abri isolé, bâti sur place.

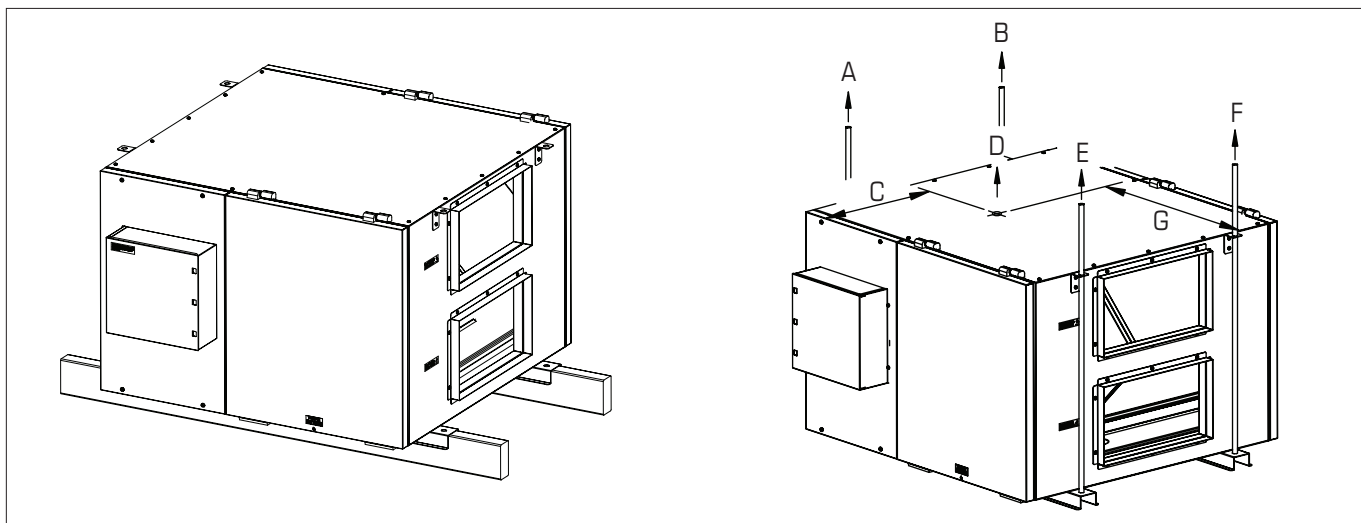
On ne recommande pas de brancher d'autre appareils au ventilateur récupérateur de chaleur, y compris :

- les sècheuses
- les hottes de cuisine
- les appareils d'évacuation des gaz de combustion
- les systèmes centraux d'aspiration

Ces appareils peuvent produire de la poussière, des peluches ou de la graisse qui peuvent s'accumuler dans le ventilateur-récupérateur de chaleur et l'endommager.



Le fait de brancher un de ces types d'appareils au ventilateur-récupérateur de chaleur peut annuler la garantie.

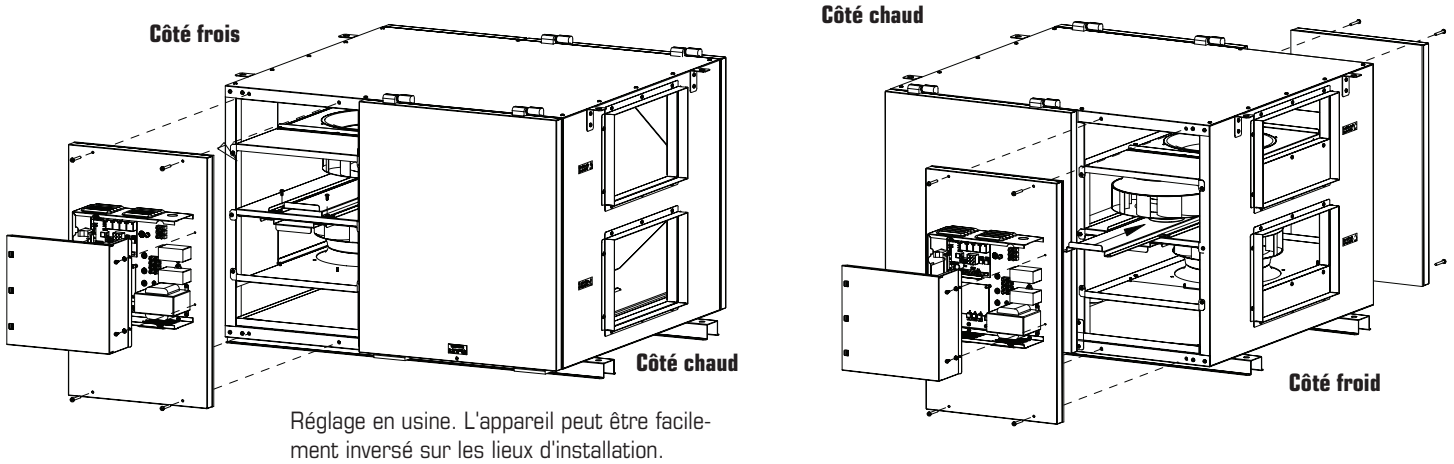


Modèle	A		B		C		D		E		F		G	
	Kg	lbs	Kg	lbs	po.	mm.	Kg	lbs	Kg	lbs	Kg	lbs	po.	mm.
SHR 450	16.6	36.6	15.6	34.4	12.6	320	58	127.9	13.6	30	12.7	28	17.63	448
SHR 700	23.8	52.5	22.5	49.6	15.4	390	85	187	20	44	18.8	41.3	17.6	448
SHR 800	20	44	17	37.5	15.9	404	71.5	158	19	41.9	16.5	36.4	11	282
SHR 1200	30.4	67	27	60	21.4	544	109	241	27.7	61	24.3	53.5	18	455
SHR 1400	29.2	64.4	24.5	54	19	483	116	255	30	66.2	34.7	76.5	10	254

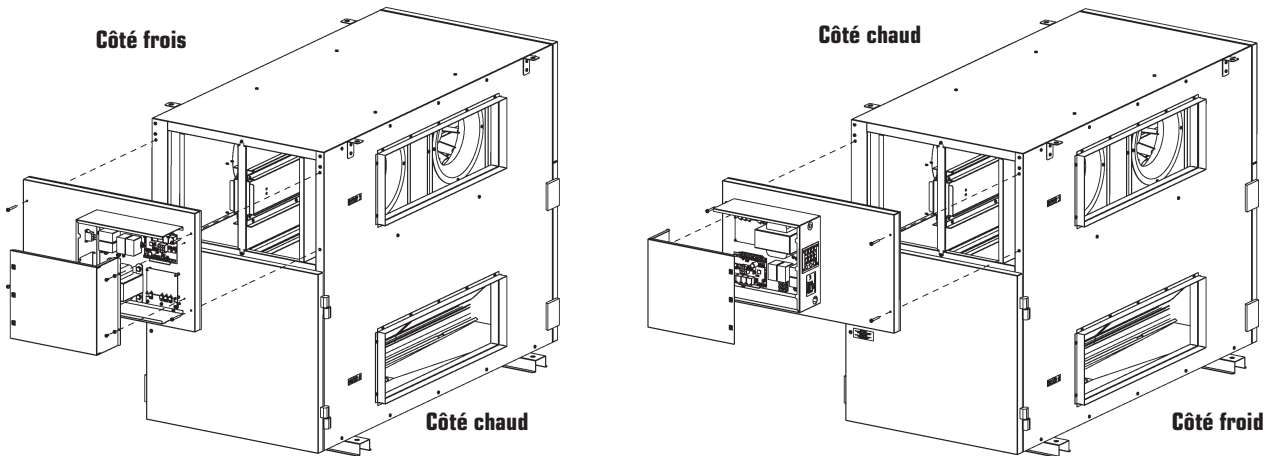
Configuration des ports

L'appareil possède des portes d'accès à l'avant et l'arrière. De plus, on peut déplacer le panneau de commande principal de l'avant vers l'arrière, afin de faciliter la configuration du système de gaines.

SHR 450, SHR 700, SHR 1200



SHR 800, SHR 1400

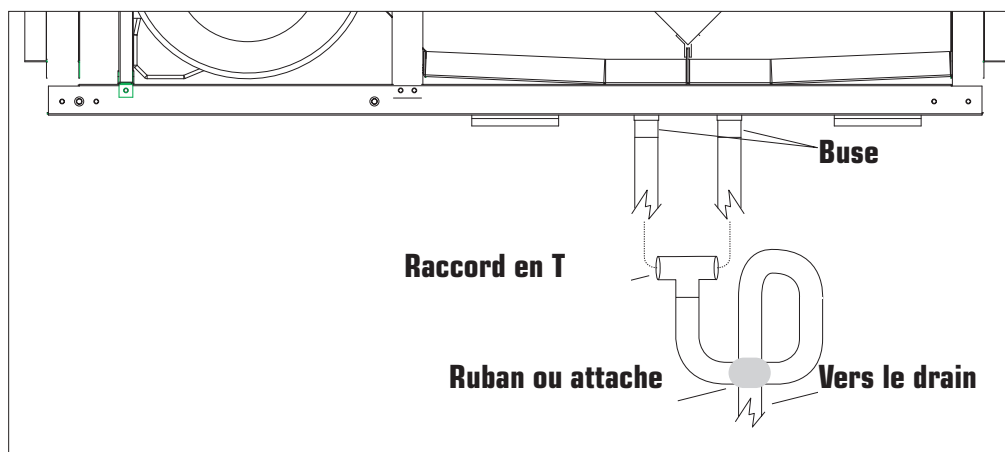


Réglage en usine. L'appareil peut être facilement inversé sur les lieux d'installation.

Installer la conduite de récupération des fluides

Lors de son fonctionnement normal et lorsqu'il est en mode de dégivrage, le ventilateur-récupérateur de chaleur peut produire de la condensation. L'eau ainsi produite doit être drainée ou retirée à l'aide d'une pompe à condensats. On doit installer le ventilateur-récupérateur de chaleur et tous les conduits de condensats dans un endroit où on maintient la température au-dessus du point de congélation. On doit former un siphon P dans la conduite de récupération. Cela évitera aux odeurs de retourner dans l'appareil.

Installer le tuyau de vidange en formant un siphon P



Installation des conduits extérieurs

Installer le système de conduit aux hottes

Hottes extérieurs

Les capots doivent posséder des grillages aviaires intégrés d'au moins 1/4 po (6,35 mm) pour éviter que les oiseaux et les rongeurs n'entrent dans le système de gaines. Ne pas utiliser de grillage plus petit, car il sera plus susceptible de se bloquer. L'emplacement de choix pour les capots est :

- À pas moins de 10 pi (3 m) de distance les uns des autres.
- À au moins 18 po (457,2 mm) de la ligne de neige ou du sol.
- On doit tenir la hotte d'entrée hors de la portée des sources de contamination, comme les fumées d'échappement d'automobile, les compteurs de gaz, les boîtes à ordures, les conteneurs, les tours de réfrigération, les toits en goudron, etc.
- Éviter les vents dominants, lorsque cela est possible..

Le périmètre extérieur du capot doit être scellé pour éviter les fuites dans l'immeuble.

La conception et la taille des capots ou des grilles d'aération choisies par l'installateur doivent prévoir une zone libre adéquate. On évite les infiltrations de neige et d'eau dans le système lorsque le débit d'air ne dépasse pas 1000 pi/min (5,08 m/sec) de vitesse en zone libre.

Système de conduits à partir des hottes vers et du ventilateur récupérateur de chaleur

On doit utiliser des gaines en feuilles de métal galvanisé possédant suffisamment de coupe transversale conjointement avec une pièce unique et intégrale d'enveloppe isolée pare-vapeur pour raccorder le ventilateur-récupérateur de chaleur aux capots. Une valeur de calibre R doit être adéquate pour le contrôle de la condensation. On peut utiliser des gaines flexibles isolées avec modération, si celles-ci sont dimensionnées et installées correctement. (Se référer aux codes locaux.)

On doit sceller toutes les gaines à l'aide d'un boudin généreux de calfeutrant de haute qualité (de préférence un scellant acoustique) et un ruban d'aluminium de haute qualité, ou de tout autre scellant à gaine approuvé.

Installation des conduits intérieurs

Pour maximiser le débit d'air dans le système de gaines, on doit tenir ces dernières courtes et exemptes du plus de coudes possible. Les coudes à 45 degrés sont préférables à ceux à angle droit. Utiliser des raccords en « Y » plutôt que des coudes à angle droit, lorsque cela est possible.

On doit fixer tous les joints de gaines à l'aide de vis ou de scellant à gaine et les envelopper d'un ruban à conduits pour éviter les fuites. On recommande le ruban à conduits en aluminium.

Système de conduit d'air frais

Dans les immeubles qui ne possèdent pas de systèmes CVAC à air forcé, l'air frais doit être fourni dans toutes les zones habitables. Celui-ci doit être fourni à partir d'endroits à mur ou plafonds élevés. On recommande des grilles qui diffusent de l'air confortable, par exemple la grille Greentek (MGE (métal) ou CG (plastique) avec un effet Coanda.

On peut utiliser des chauffe-conduits pour ajouter de la chaleur, si nécessaire.

Raccord direct à la fournaise/ conduit de reprise de l'appareil de traitement de l'air

- Si vous souhaitez raccorder l'air fourni directement à la reprise de l'air froid des systèmes CVAC, ne pas oublier de vérifier l'équilibre du débit d'air du ventilateur-récupérateur de chaleur avec les ventilateurs du système CVAC en fonction et à l'arrêt pour déterminer si ce dernier ne déséquilibre pas le ventilateur-récupérateur de chaleur de plus de 10 %. Assurez-vous de respecter la distance minimale entre la gaine d'air fournie du ventilateur-récupérateur de chaleur et les systèmes CVAC.
- Il peut être nécessaire d'installer un système de gaines d'air fourni distinct si le chauffage provient d'une source autre que de l'air forcé. Lorsqu'on installe un ventilateur-récupérateur de chaleur, le concepteur et l'installateur doivent connaître les codes locaux qui peuvent exiger l'installation de détecteurs de fumées et (ou) de pyrostats dans le CVAC ou le système de gaines du ventilateur-récupérateur de chaleur.

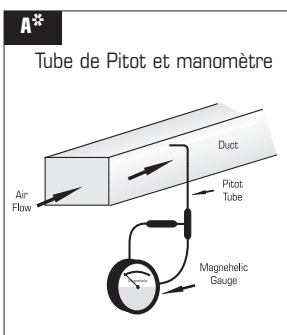
Étant donné que le ventilateur-récupérateur de chaleur est conçu pour amener l'air frais dans l'immeuble, les structures pourront nécessiter que l'on interrompe son alimentation lorsque les détecteurs de fumée ou de flammes sont déclenchés ou lorsqu'une alarme de feu centrale est activée.

Système de conduits pour air vicié

On utilise le système d'évacuation de l'air vicié pour aspirer l'air des endroits de l'immeuble où on observe les pires problèmes de qualité de l'air. (Voir les exemples d'installation dans le manuel.)

Équilibrage du débit d'air

- La procédure d'équilibrage consiste à mesurer la quantité d'air d'évacuation qui quitte le système et celle d'air fourni qui y entre et s'assurer qu'elles sont toutes deux égales. Un écart de 10 % ou moins est acceptable.



A On mesure généralement la vitesse du débit d'air de la gaine avec un manomètre Magnehelic et un tube de Pitot.

- Pour éviter la turbulence du débit d'air et des lectures inexactes, on doit mesurer la vitesse du débit d'air sur des gaines d'acier à au moins 3 sections transversales de l'appareil ou du coude et avant tout embranchement.



On doit faire appel à un équilibreur de l'air professionnel pour travailler sur le système de manière adéquate. Un technicien qualifié en CVAC peut terminer l'équilibrage de l'air si celui-ci possède l'équipement nécessaire. Communiquer avec le soutien technique de Greentek pour obtenir de l'aide.

Exemples d'installation

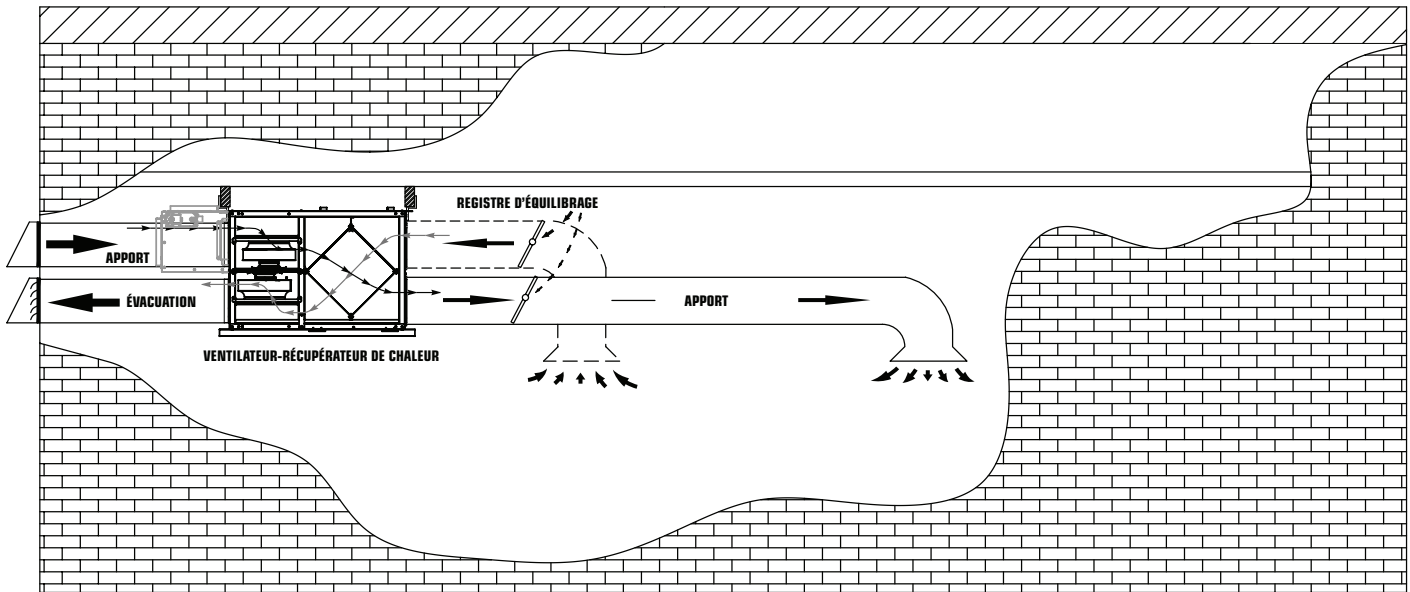


* Les dessins ne sont que des illustrations et les emplacements des entrées réelles et les directions des débits d'air peuvent varier. Consulter les fiches signalétiques des appareils.

L'installateur doit s'assurer d'installer et de dimensionner tous les systèmes de gaines comme indiqué, afin que le système fonctionne comme prévu. La quantité d'air (m^3/min) fournie par un ventilateur-récupérateur est directement liée à la pression statique externe totale (PSE) du système. La pression statique est une mesure de la résistance appliquée sur le ventilateur par rapport à la longueur du système de gaines/nombre de raccords utilisés dans le système de gaines, le chauffe-conduit, etc.

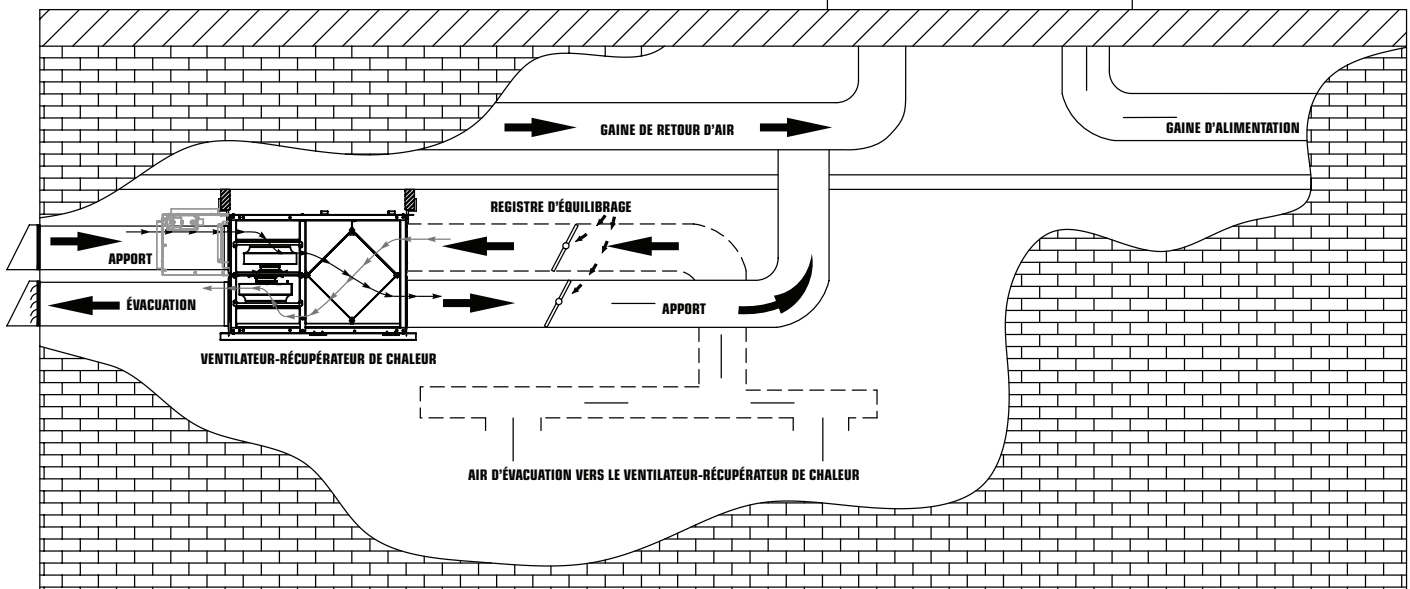
Système entièrement dédié

- Air vicié prélevé dans les zones de contamination
- Air frais fourni aux zones principales
- Le débit d'air du ventilateur-récupérateur de chaleur doit être équilibré
- Un serpentin de chauffage ou de refroidissement externe peut être nécessaire si l'air ne peut se mélanger de manière à être confortable.



Système partiellement dédié (connexion directe)

- Air vicié prélevé dans les zones de contamination
- Air frais fourni à la gaine de reprise de l'appareil de traitement de l'air
- Le ventilateur de l'appareil de traitement de l'air peut être sollicité lorsque la ventilation est nécessaire
- Le débit d'air du ventilateur-récupérateur de chaleur doit être équilibré



Exemples d'installation (Suite)

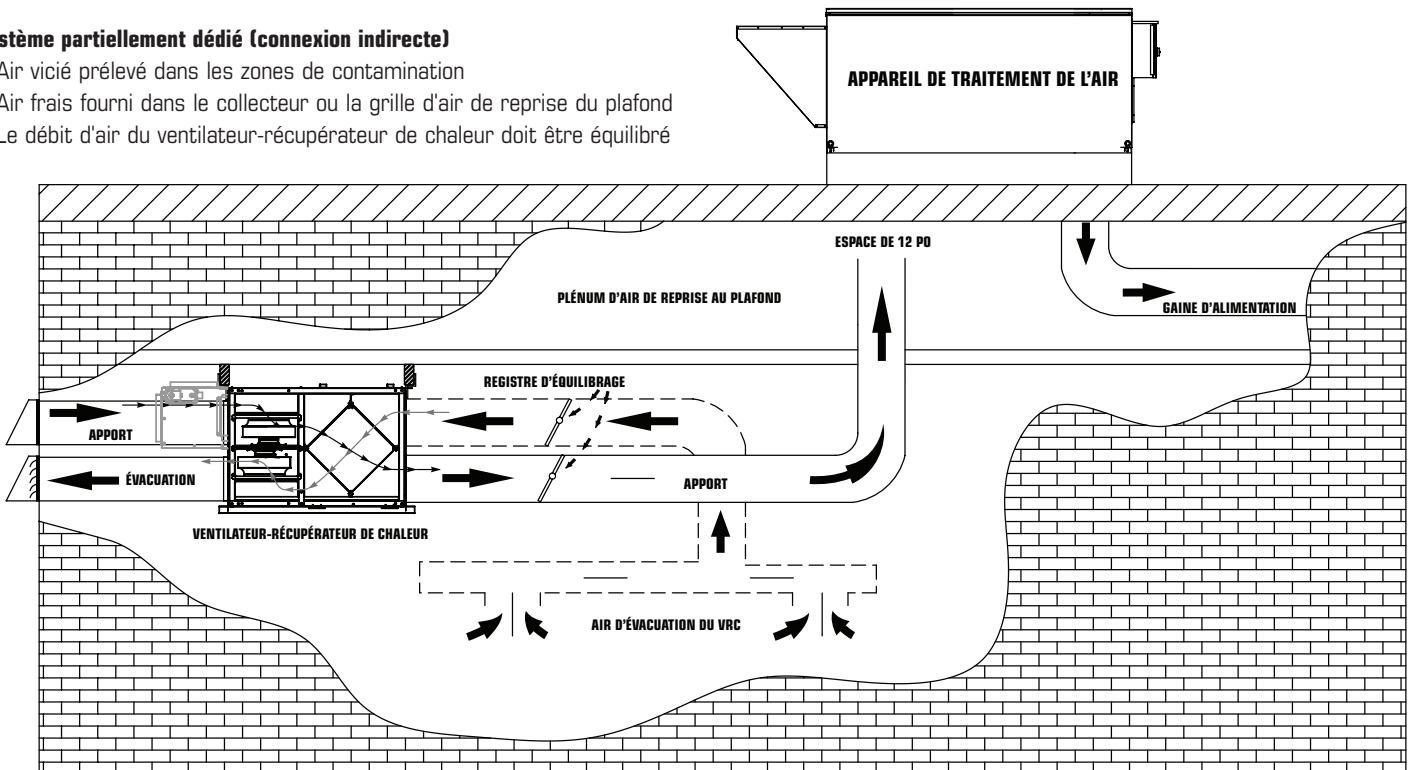


* Les dessins ne sont que des illustrations et les emplacements des entrées réelles et les directions des débits d'air peuvent varier. Consulter les fiches signalétiques des appareils.

L'installateur doit s'assurer d'installer et de dimensionner tous les systèmes de gaines comme indiqué, afin que le système fonctionne comme prévu. La quantité d'air (pi³/min) fournie par un ventilateur-récupérateur est directement liée à la pression statique externe totale (PSE) du système. La pression statique est une mesure de la résistance appliquée sur le ventilateur par rapport à la longueur du système de gaines/ nombre de raccords utilisés dans le système de gaines, le chauffe-conduit, etc.

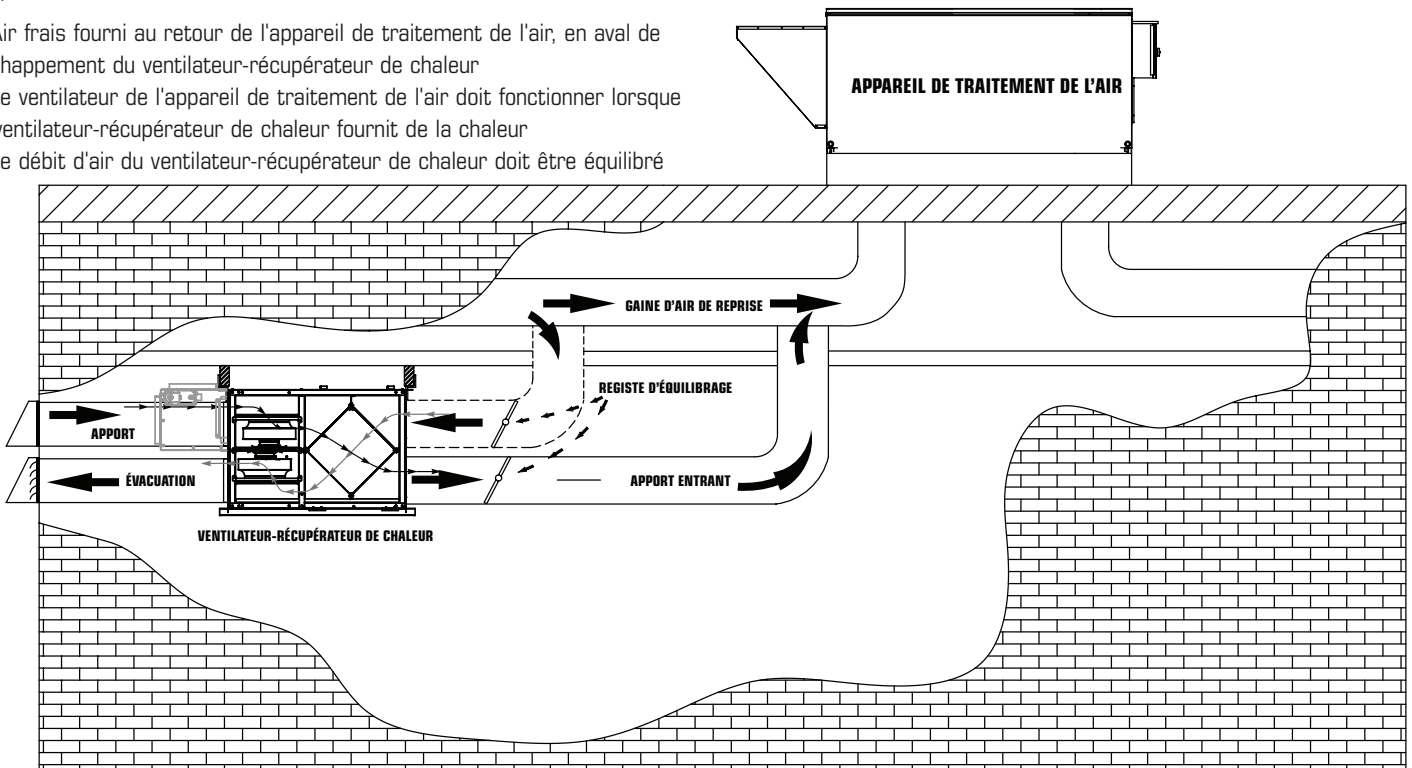
Système partiellement dédié (connexion indirecte)

- Air vicié prélevé dans les zones de contamination
- Air frais fourni dans le collecteur ou la grille d'air de reprise du plafond
- Le débit d'air du ventilateur-récupérateur de chaleur doit être équilibré



Installation simplifiée

- L'air vicié est prélevé à partir de la reprise de l'appareil de traitement de l'air
- Air frais fourni au retour de l'appareil de traitement de l'air, en aval de l'échappement du ventilateur-récupérateur de chaleur
- Le ventilateur de l'appareil de traitement de l'air doit fonctionner lorsque le ventilateur-récupérateur de chaleur fournit de la chaleur
- Le débit d'air du ventilateur-récupérateur de chaleur doit être équilibré



Modes d'opération

1. Mode continu / de ventilation

Dans ce mode de fonctionnement, les deux ventilateurs fonctionnent et échangent l'air avec l'extérieur. Le ventilateur récupérateur de chaleur (VRC) échange continuellement l'air à la vitesse que vous choisissez, soit à basse ou moyenne vitesse, et passe en haute vitesse lorsqu'il est activé par une télécommande en option. La sélection de la vitesse du ventilateur "Low (réduit)" et "High (Normale)" fera fonctionner en mode continu à vitesse réduite. Le mode continu est recommandée, car les polluants sont lentement mais constamment générés dans un bâtiment.

2. Mode intermittent / en attente

Le système est toujours en mode attente et fonctionne à haute vitesse lorsqu'on l'actionne à l'aide d'une commande à distance optionnelle (nécessaire) : on ne doit choisir le mode « en attente » (« Standby ») que si l'utilisateur souhaite arrêter l'échange en continu sur l'appareil.

3a. Dégivrage par évacuation

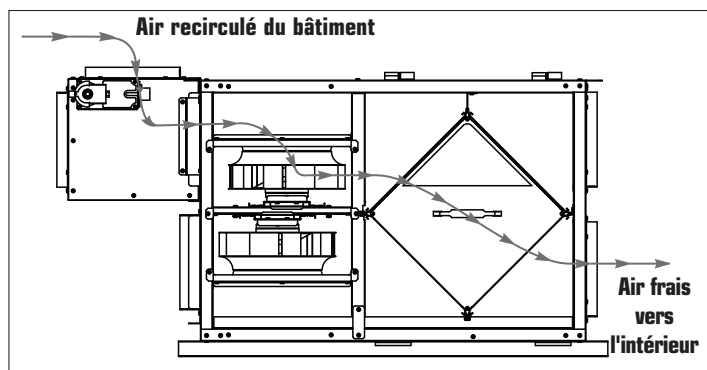
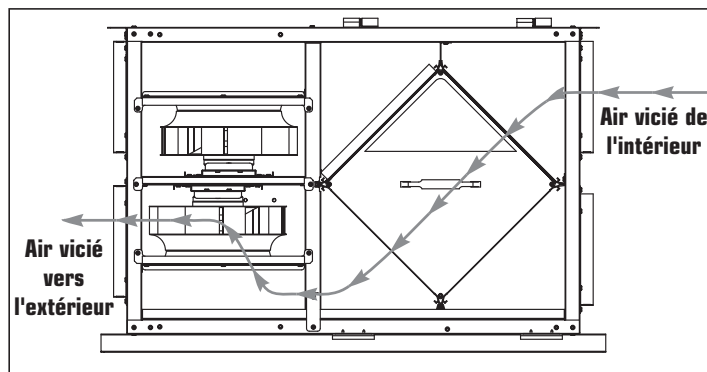
Une séquence de dégivrage pré-réglée est activée lorsque la température de l'air extérieur atteint 23 °F (-5 °C) et moins.

Pendant cette séquence, le ventilateur d'apport cesse de fonctionner et le ventilateur d'évacuation continue de fonctionner pendant une période pré-établie. L'appareil retourne ensuite à son fonctionnement habituel et continue le cycle.

3b. Dégivrage par recirculation (Seulement disponible avec BPM)

Une séquence de dégivrage prédéterminée est mise en marche à une température d'air extérieur de -5°C (23°F) et moins.

Lors de la séquence de dégivrage, le volet motorisé dans le module de déviation (BPM) bloque temporairement le courant d'air d'entrée pour que l'air chaud de la pièce puisse circuler au travers du VRC. Le moteur évacuateur s'éteint et le moteur d'alimentation passe à haute vitesse pour maximiser l'efficacité du système de dégivrage. Pendant ce cycle, l'appareil ne créera pas de pression négative. Veuillez noter que ces systèmes sont conçus pour dégivrer avec les appareils BPM installés sur le conduit d'alimentation d'air frais provenant de l'extérieur. Une configuration alternative est disponible en communiquant avec notre département de soutien technique.

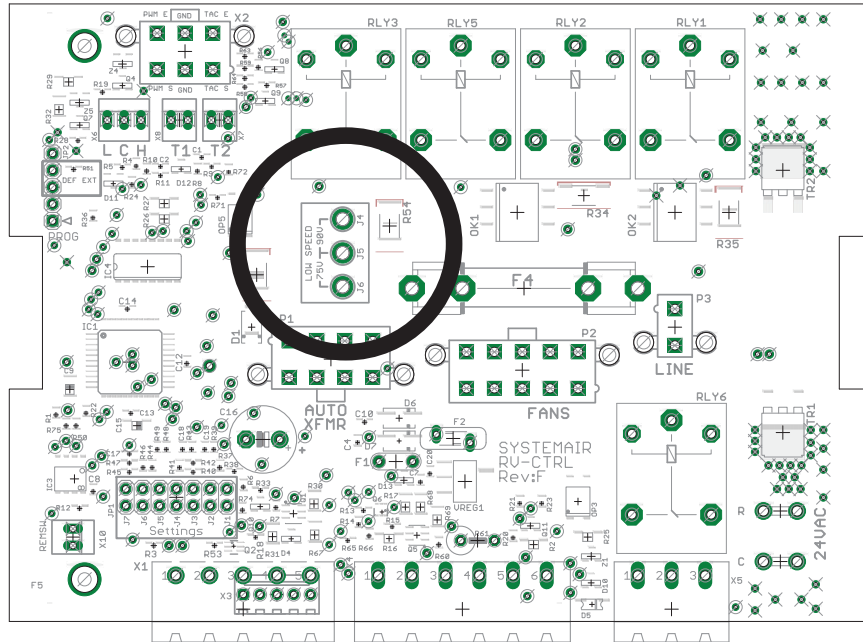


Configurer la vitesse

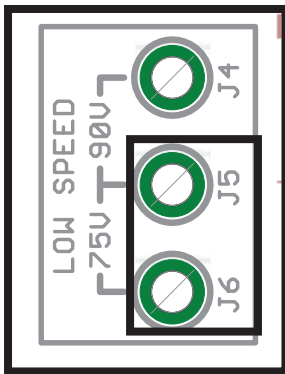
! AVERTISSEMENT ASSUREZ-VOUS QUE L'ALIMENTATION DE L'UNITÉ EST DÉCONNECTÉE AVANT DE FAIRE DES CHANGEMENTS

Le VRE est expédié de l'usine à basse vitesse, un fonctionnement intermittent peut être obtenu par un commutateur de bascule situé à l'extérieur de l'armoire.

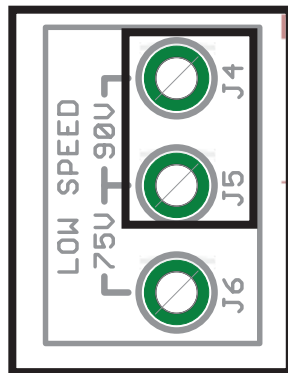
La sélection de la tension pour la basse vitesse (réduite) de l'unité se fait via les cavaliers indiqués dans l'illustration ci-dessous. Le réglage par défaut 75V.



Configurations de vitesse pour la basse vitesse (réduite)



Min: 75V
(Défaut de fabrication)



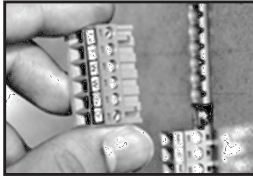
Min: 90V

COMMANDES MURALES

* Veuillez consulter les manuels d'instructions des dispositifs de commande individuels pour connaître la bonne configuration de câblage et l'installation adéquate des systèmes de commande.



1. Assurez-vous que l'appareil n'est pas branché lorsque vous reliez la commande.
2. Le mode de recirculation est uniquement disponible dans la série Solace et le modèle C3.14.


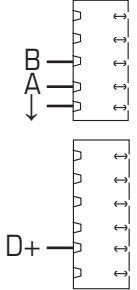

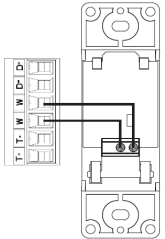
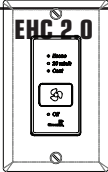


Les raccords de câblage peuvent être retirés pour faciliter le branchement.

COMMANDES CENTRALES

Ceux-ci ne peuvent pas être utilisés avec une autre commande centrale.

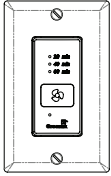
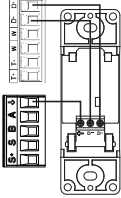

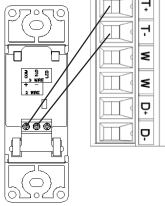


*Conserver la polarité entre la commande et le VRC (+ → + ; - → -)

	CARACTÉRISTIQUES	CONNEXIONS
<p>STS 2.0</p> 	<ul style="list-style-type: none"> • Notre système de commande le plus complet, mais toujours convivial. • Modèle élégant avec écran ACL tactile rétroéclairé. • Mode ECO choisissant le mode de fonctionnement et la vitesse optimaux pour la saison, minimisant la consommation énergétique associée à la ventilation. • Réglage de la plage d'humidité intérieure relative et du mode de ventilation favoris pour le jour et la nuit. • Aucune pile à remplacer, tous les réglages programmés sont conservés en cas de panne de courant. • Indicateur de rappel d'entretien. • Messages d'erreur réduisant le temps de dépannage. 	
<p>EHC 2.5</p> 	<ul style="list-style-type: none"> • Il y a trois (3) modes de fonctionnement qui peuvent être sélectionnés: Mode de ventilation, Mode de recirculation et Mode en attente à l'aide de la touche MODE (voir figure 1). Une fois que vous avez sélectionné le mode de fonctionnement, la vitesse du ventilateur peut être sectionnée – Réduite, Moyenne, Normale ou 20min/h à l'aide des flèches (Voir figure 1) • Mode de ventilation: Votre système de ventilation aspire l'air vicié de l'intérieur de votre maison et le remplace par de l'air frais de l'extérieur tout en récupérant l'énergie de l'air qui est évacué à l'extérieur. • Mode de recirculation: Votre système de ventilation aspire l'air dans les endroits de votre maison et la redistribue dans d'autres pièces pour éviter les endroits d'air stagnantes et distribue l'air chauffé ou refroidi. Pas d'air extérieur est introduit dans le bâtiment. • Mode en attente: Le système de ventilation est inactif sauf si l'humidité relative intérieure dépasse le point de consigne du contrôle ou si une minuterie (installé séparément) est activée. 	
<p>EHC 2.0</p> 	<ul style="list-style-type: none"> • Un dispositif de commande mural à trois fonctions qui est compatible avec tous les modèles de VRC de Greentek. Cette commande active le système à trois modes de fonctionnement possible. • ECONO Fonctionnement continu à vitesse faible ou moyen • 20 MIN/H 20 minutes ON, 40 minutes OFF Intermittent (Jaune) • CONT Opération continue à haute vitesse en mode ventilation ou recirculation. • OFF Mode veille, les deux ventilateurs éteints 	

COMMANDES MURALES (SUITE)

COMMANDE AUXILIAIRE – Ces commandes peuvent être associées à des commandes centrales ou combinées ensemble.

*Conserver la polarité entre la commande et le VRC (+ → + ; - → -)

SÉRIE T	CARACTÉRISTIQUES	CONNEXIONS
<p>T4*</p> 	<ul style="list-style-type: none"> • Minuterie de 20 minutes avec voyant à DEL. • Fait passer le système à la vitesse élevée à l'aide d'un bouton. • Jusqu'à 5 commandes peuvent être utilisées sur un système. • Pour la salle de bains, la cuisine et la salle de lavage. 	
<p>T5*</p> 	<ul style="list-style-type: none"> • Minuterie de 20/40/60 minutes avec voyant à DEL. • Fait passer le système à la vitesse élevée à l'aide d'un bouton. • Jusqu'à 5 commandes peuvent être utilisées sur un système. • Pour la salle de bains, la cuisine et la salle de lavage. 	
<p>RD-1</p> 	<ul style="list-style-type: none"> • Déshumidistat à molette. • Plusieurs commandes peuvent être utilisées. • Nous recommandons de fixer le taux d'humidité relative au-delà de 80 % l'été. 	

Entretien



AVERTISSEMENT S'ASSURER QUE L'APPAREIL EST DÉBRANCHÉ AVANT D'Y RÉALISER TOUT TRAVAIL D'ENTRETIEN

On doit aussi inspecter les composants suivants régulièrement et les entretenir adéquatement.

Moteur - Les moteurs sont équilibrés en usine et lubrifiés à vie. Ils ne nécessitent aucun entretien.

Appareil - On doit nettoyer l'intérieur de l'appareil à l'aide d'un linge, au besoin.

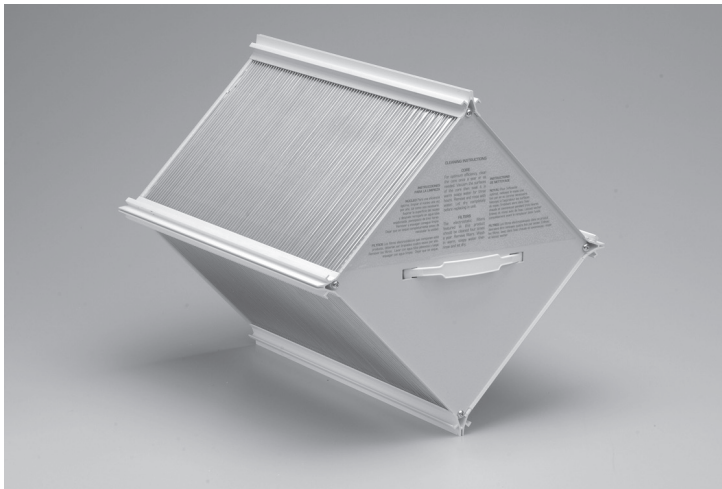
Bac de condensation - On doit vérifier la conduite de récupération et le raccord des appareils qui possèdent des tuyaux de vidange.

Hottes externes - On doit vérifier les hottes extérieures toutes les saisons pour s'assurer qu'aucune feuille ou qu'aucun insecte ne bloque la circulation d'air. Vérifier régulièrement qu'aucun polluant ne se trouve à proximité de la hotte d'entrée. S'assurer que celle-ci est exempte d'accumulation de neige pendant les mois d'hiver.

Filtres

On doit vérifier et nettoyer les filtres une fois par mois ou lorsqu'ils semblent sales.

Plaque fixe



Nettoyer le noyau tous les trois à six mois en moyenne, ou au besoin.

- a) Ouvrir la porte d'accès et retirer les filtres.
- b) Saisir les extrémités du noyau avec soin et retirer ce dernier uniformément. Le noyau peut être à l'étroit, mais on peut tout de même le faire glisser hors de son passage.
- c) Laver le noyau dans de l'eau tiède savonneuse ou dans une solution nettoyante légère.
- d) Installer le noyau propre.
- e) Installer les filtres propres.
- f) Remplacer la porte d'accès.

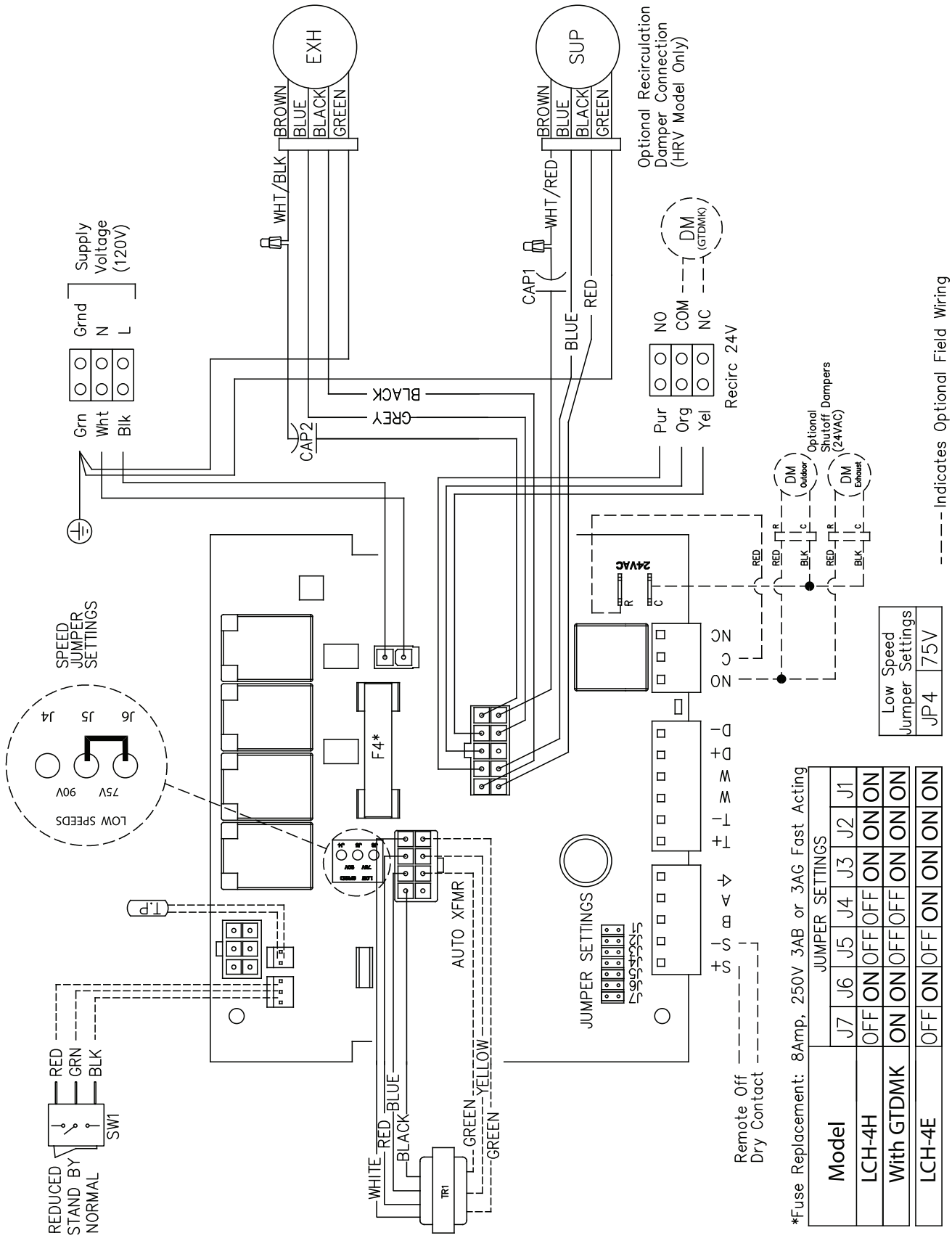


L'étiquette d'installation du noyau se trouve à l'extrémité extérieure de celui-ci.

Pour installer le noyau et les filtres propres.

- a) Installer tout d'abord la bride inférieure du rail du noyau dans le passage inférieur, à environ 1/4 po (6 mm).
- b) Fixer la bride gauche ou droite du rail du noyau à environ 1/4 po (6 mm), suivi de celle de l'autre côté.
- c) Installer la bride supérieure du rail du noyau dans le passage supérieur, à environ 1/4 po (6 mm).
- d) Une fois les quatre coins en place et le noyau droit et équilibré, pousser dans le centre du noyau jusqu'à ce que celui-ci atteigne l'arrière du caisson.

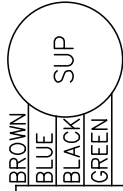
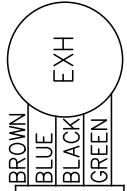
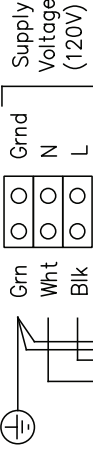
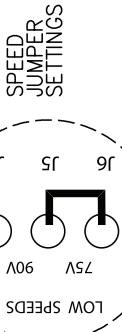
Connexions électriques LCH-4H



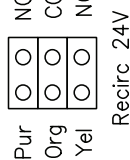
REDUCED
STAND BY
NORMAL

RED
GRN
BLK

SW1



Optional Recirculation Damper Connection (HRV Model Only)



*Fuse Replacement: 8Amp, 250V 3AB or 3AG Fast Acting

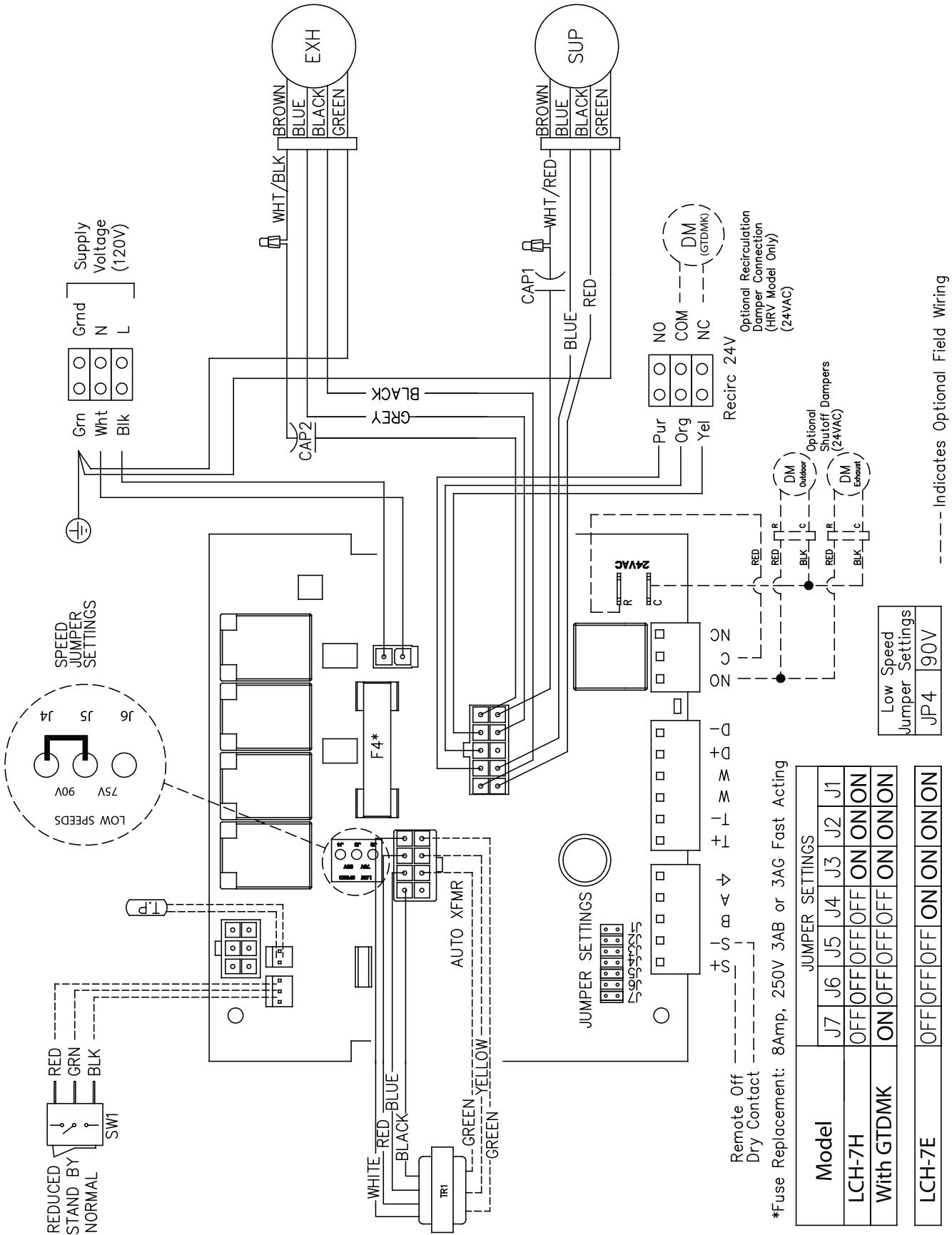
Model	JUMPER SETTINGS						
	J7	J6	J5	J4	J3	J2	J1
LCH-4H	OFF	ON	OFF	OFF	ON	ON	ON
With GTDMK	ON	ON	OFF	OFF	ON	ON	ON
LCH-4E	OFF	ON	OFF	ON	ON	ON	ON

Low Speed Jumper Settings

JP4	75V
-----	-----

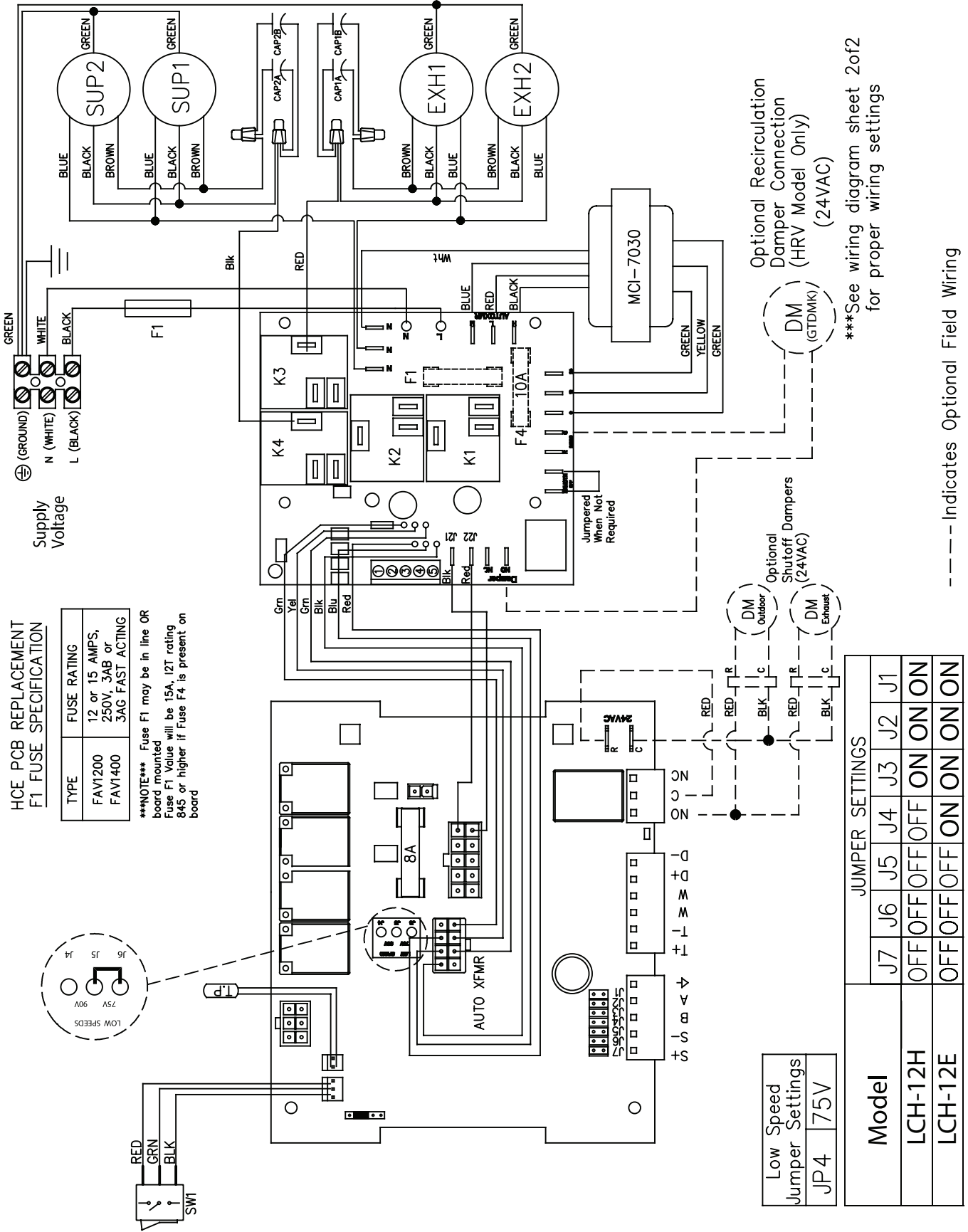
--- Indicates Optional Field Wiring

Connexions électriques LCH-7H



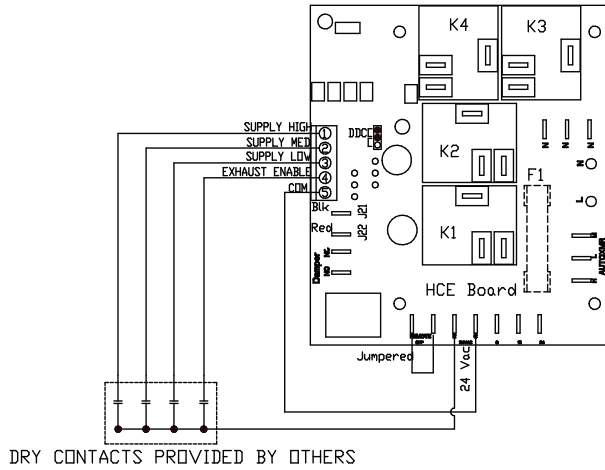
Connexions électriques LCH-12H

Fan Shutdown Defrost Wiring

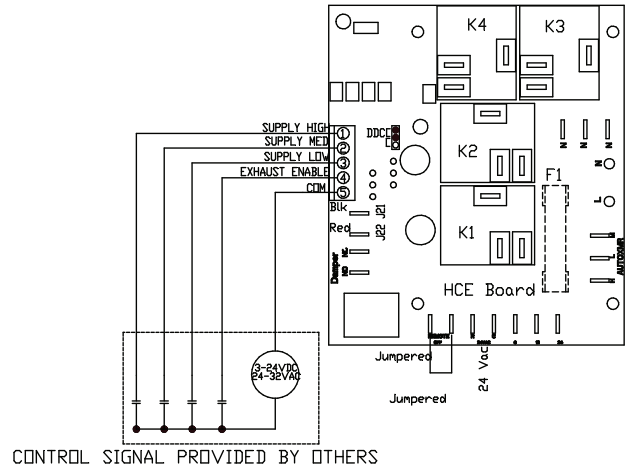


Connexions électriques LCH-12H (Suite) Guide de câblage DDC

DDC CONTROL WIRING WITH DAMPER DEFROST (ONBOARD 24VAC)



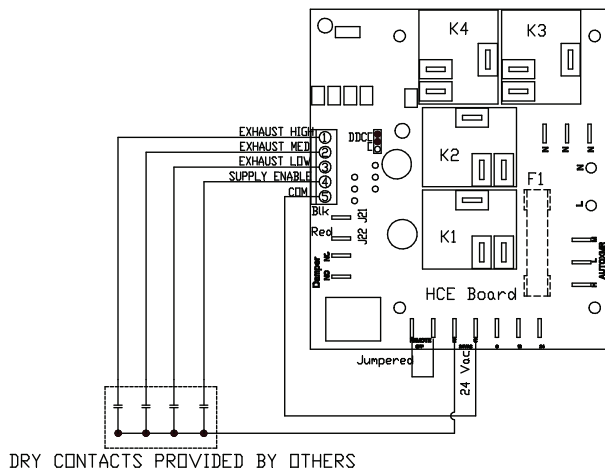
DDC CONTROL WIRING WITH DAMPER DEFROST (EXTERNAL CONTROL SIGNAL)



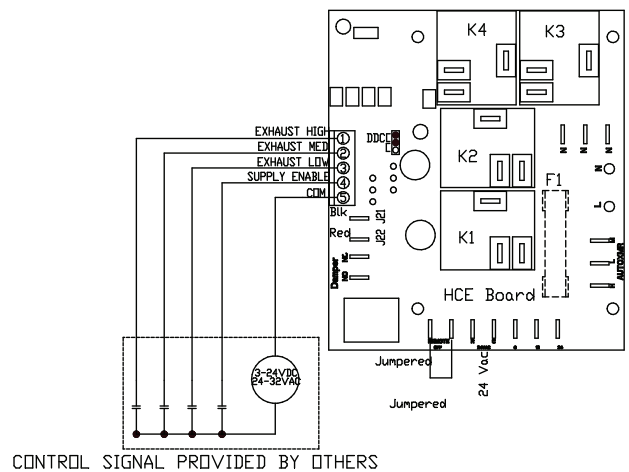
NOTE: ENSURE JUMPER ON HCE BOARD IS CHANGED FROM "NORMAL" TO "DDC"

NOTE: ENSURE JUMPER ON HCE BOARD IS CHANGED FROM "NORMAL" TO "DDC"

DDC CONTROL WIRING W/O DAMPER DEFROST (ONBOARD 24VAC)



DDC CONTROL WIRING W/O DAMPER DEFROST (EXTERNAL CONTROL SIGNAL)



NOTE: ENSURE JUMPER ON HCE BOARD IS CHANGED FROM "NORMAL" TO "DDC"

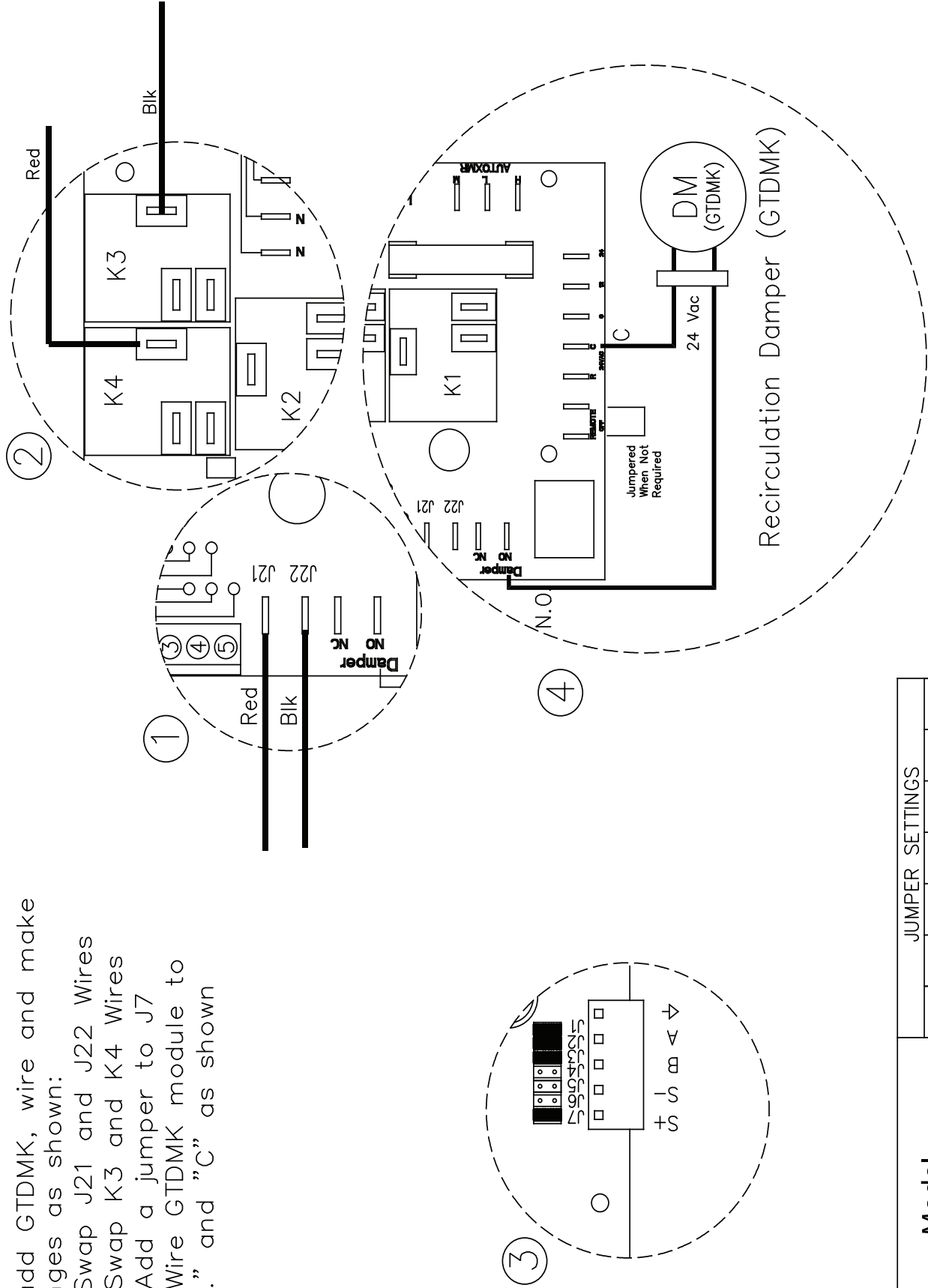
NOTE: ENSURE JUMPER ON HCE BOARD IS CHANGED FROM "NORMAL" TO "DDC"

Connexions électriques LCH-12H (Suite)

Recirculation Defrost (with GTDMK) Wiring

To add GTDMK, wire and make changes as shown:

- (1) Swap J21 and J22 Wires
- (2) Swap K3 and K4 Wires
- (3) Add a jumper to J7
- (4) Wire GTDMK module to "N.O." and "C" as shown



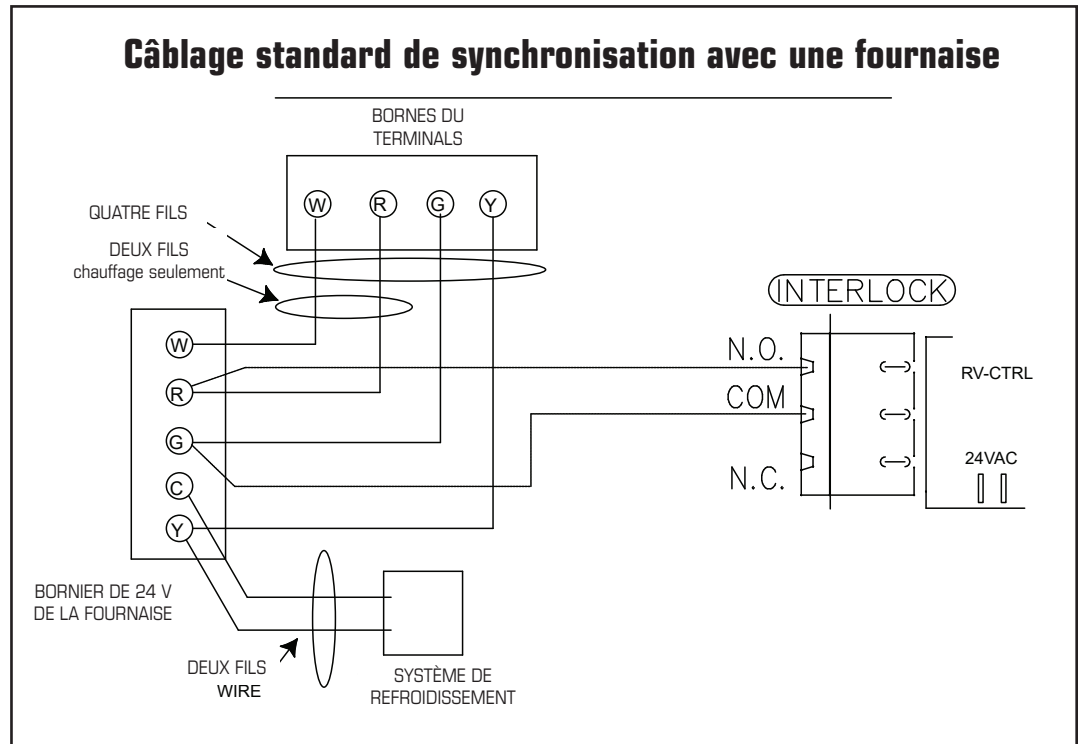
Model	JUMPER SETTINGS						
	J7	J6	J5	J4	J3	J2	J1
LCH-12H With GTDMK	ON	OFF	OFF	OFF	OFF	ON	ON

SCHÉMAS ÉLECTRONIQUES (SUITE)

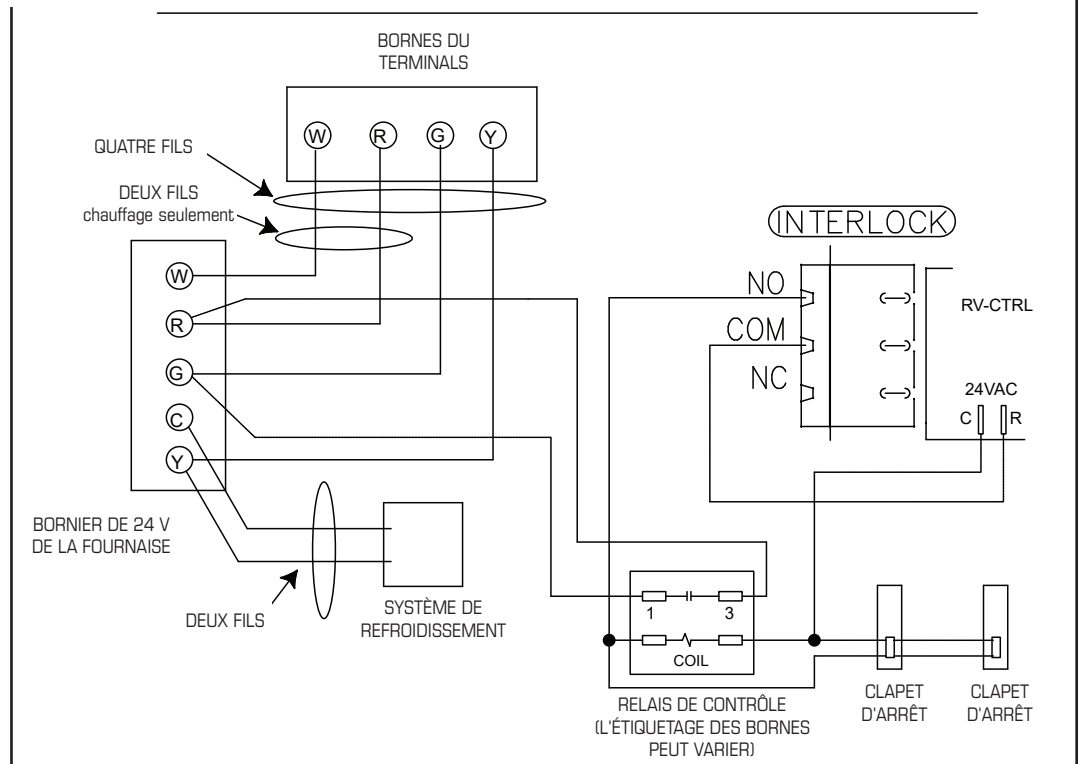
CONNEXION ÉLECTRIQUE À UNE FOURNAISE



DANS LE CAS D'UNE FOURNAISE RACCORDÉE À UN SYSTÈME DE REFROIDISSEMENT



Contact de commande des accessoires secondaires (avec registre)



Ne raccordez jamais un courant alternatif de 120V aux bornes de synchronisation de la fournaise. N'utilisez que le conduit basse tension de classe 2 de la commande du ventilateur de la fournaise.

SCHÉMAS ÉLECTRIQUES (SUITE)

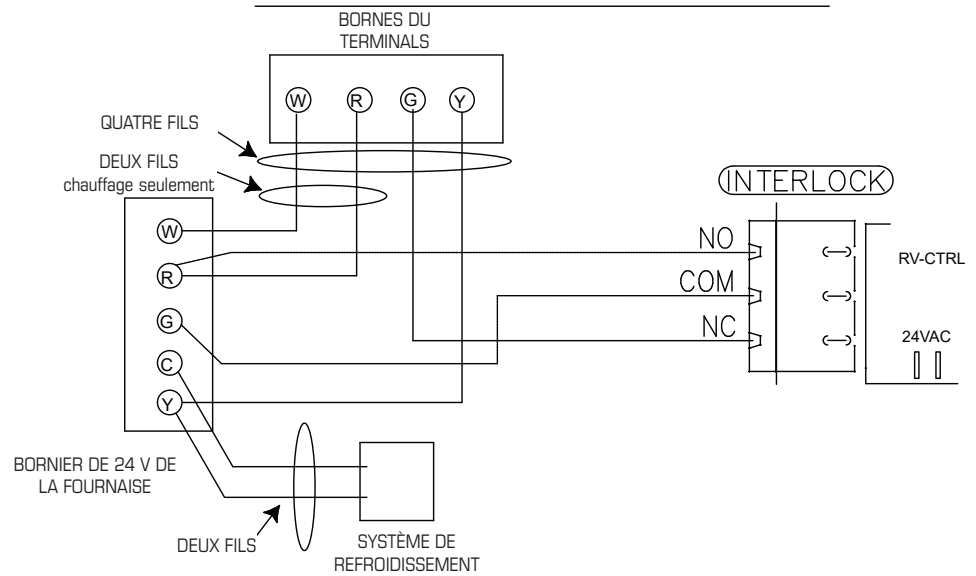
CONNEXION ÉLECTRIQUE À UNE FOURNAISE



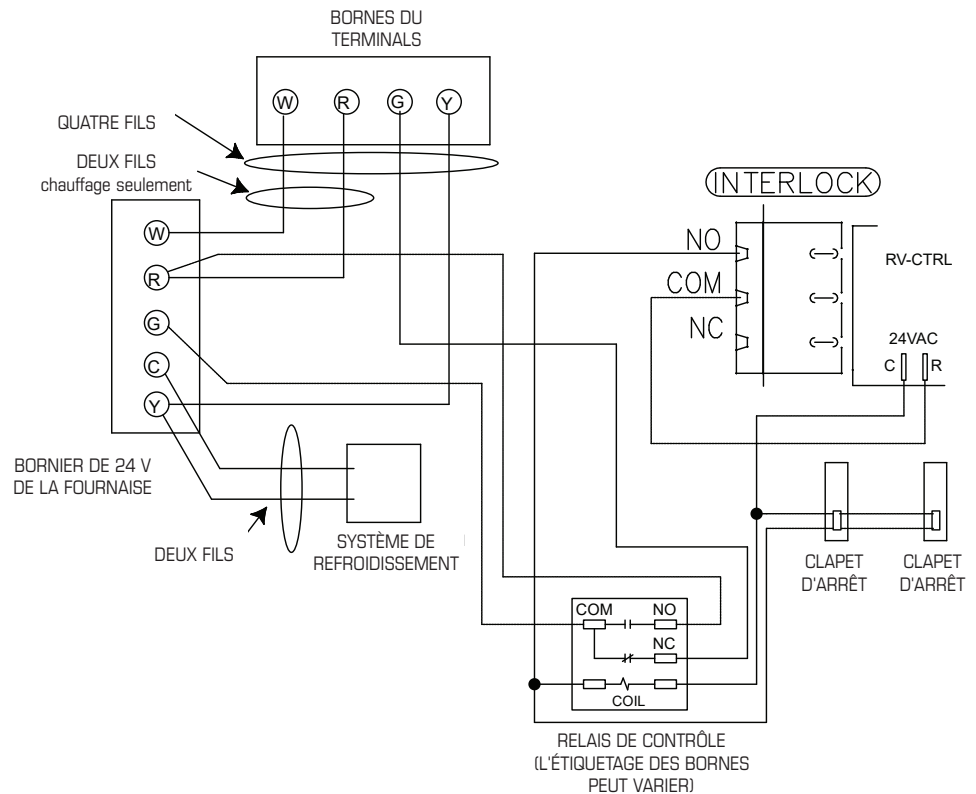
CONNEXION ALTERNATIVE À LA FOURNAISE

Sur certaines nouvelles fournaises, et certains thermostats plus anciens, l'excitation des bornes R et G de la fournaise provoque l'excitation de la borne Y du thermostat et conséquemment la mise sous tension du système de refroidissement. Si votre système est muni d'un tel type de thermostat, vous devez respecter le câblage de verrouillage de la fournaise secondaire.

Contact de commande des accessoires secondaires



Contact de commande des accessoires secondaires (avec registre)



Ne raccordez jamais un courant alternatif de 120V aux bornes de synchronisation de la fournaise. N'utilisez que le conduit basse tension de classe 2 de la commande du ventilateur de la fournaise.

Test de vérification de l'installation

Sans contrôle externe

1. Commutateur de sélection de vitesse du ventilateur
 - Réglez le sélecteur de vitesse du ventilateur en mode Attente (Standby)
2. Mise en service
 - Placez l'appareil en marche
 - L'appareil devrait être en mode de **dégivrage par évacuation seulement** pour une durée de 10 secondes et les suivants devraient se produire:
 - Ventilateur d'évacuation fonctionne à HAUTE vitesse (normale)
 - Ventilateur d'approvisionnement demeure éteint
3. Attente
 - Après le démarrage, l'appareil devrait être en mode **Attente** (Standby). Les éléments suivants devraient se produire:
 - Ventilateur d'évacuation s'éteint
 - Ventilateur d'approvisionnement demeure éteint
4. BASSE (Réduit) vitesse
 - Réglez le sélecteur de vitesse du ventilateur à Basse (Réduit) vitesse. Les éléments suivants devraient se produire:
 - Ventilateur d'évacuation fonctionne à Basse (Réduit) vitesse
 - Ventilateur d'approvisionnement fonctionne à Basse (Réduit) vitesse
5. HAUTE (normale) vitesse
 - Réglez le sélecteur de vitesse du ventilateur à Haute vitesse (normale). Les éléments suivants devraient se produire:
 - Ventilateur d'évacuation augmente jusqu'à Haute vitesse (normale)
 - Ventilateur d'approvisionnement augmente jusqu'à Haute vitesse (normale)
6. Fin du test
 - Réglez le sélecteur de vitesse à la position désirée
 - Test de vérification de l'installation est terminé

Avec contrôle externe

1. Mise en service
 - Placez l'appareil en marche
 - L'appareil devrait être en mode de **dégivrage par évacuation seulement** pour une durée de 10 secondes et les suivants devraient se produire:
 - Ventilateur d'évacuation fonctionne à Haute (normale) vitesse
 - Ventilateur d'approvisionnement demeure éteint
2. Contrôle externe
 - Après le démarrage, l'appareil répondra au contrôle externe
 - Consultez les instruction du manuel de l'utilisateur fourni avec le contrôle externe et assurez que l'appareil fonctionne correctement.
3. Fin du test
 - Test de vérification de l'installation est terminé

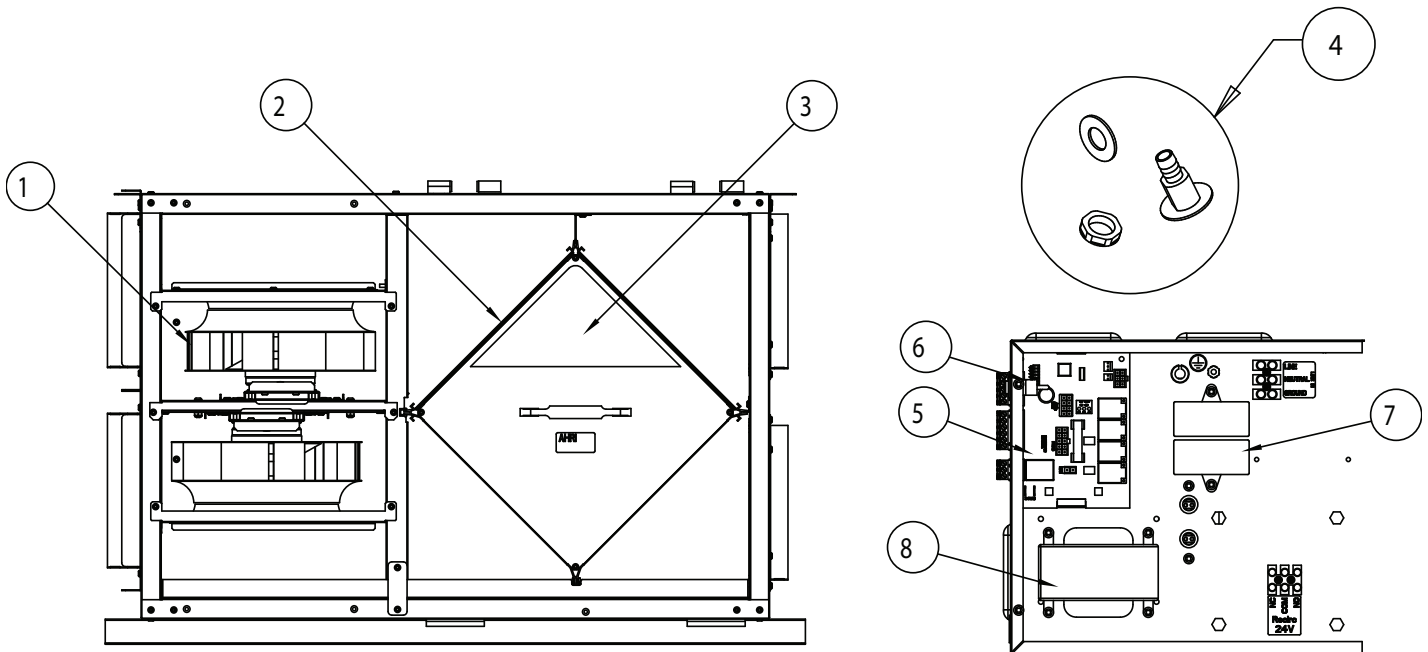
Limited Warranty

- Le noyau de récupération de chaleur bénéficie d'une garantie à vie.
- Les pièces, y compris les pièces de rechange posées ultérieurement, sont garanties pendant 3 ans à partir de la date d'achat de l'appareil. Les moteurs des ventilateurs sont garantis pendant 3 ans à partir de la date d'achat. S'il n'existe aucune preuve d'achat, la date associée au numéro de série devient la date du début de la période de garantie.
- La garantie limitée est liée à une utilisation normale. Elle ne couvre pas les défauts, défauts de fonctionnement ou défaillances causés par une mauvaise installation, un mauvais traitement, une mauvaise manipulation, un usage incorrect, un cas fortuit ou toute autre circonstance indépendante de la volonté de Greentek.
- Une mauvaise installation ou un mauvais entretien peut entraîner l'annulation de la garantie.
- Tout travail non autorisé annule la garantie.
- Greentek n'est pas responsable des dommages fortuits liés à l'utilisation du système de ventilation.
- Greentek n'est pas tenue d'assurer la présence d'un centre de service autorisé à proximité du domicile de l'acheteur ou dans sa région.
- Greentek se réserve le droit de fournir des pièces remises à neuf comme pièces de rechange.
- Les frais de transport, de retrait et d'installation sont assumés par l'acheteur.
- L'acheteur est tenu de respecter tous les codes en vigueur dans sa région.
- Les pièces, y compris les pièces de rechange posées ultérieurement, sont garanties pendant 5 ans à partir de la date d'achat de l'appareil. Les moteurs des ventilateurs sont garantis pendant 7 ans à partir de la date d'achat. S'il n'existe aucune preuve d'achat, la date associée au numéro de série devient la date du début de la période de garantie.

* Cette garantie est la seule et unique en vigueur relative au système de ventilation; toutes les autres garanties, expresses ou implicites, sont invalides. Prière de remplir la fiche de garantie et de nous la faire parvenir dans les deux semaines suivant l'achat, sinon la garantie sera annulée.

Parts list • Liste des composantes

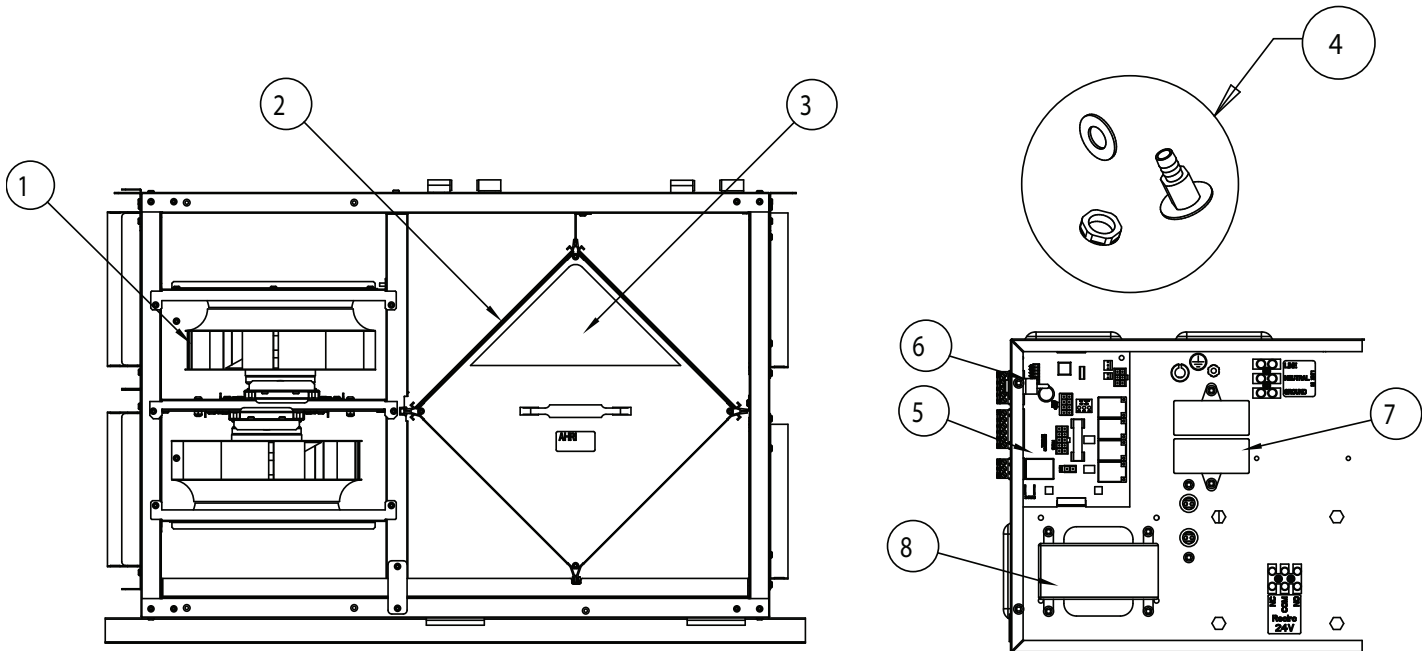
LCH-4H



BOM #	Description	LCH-4H (463300)
1	Motor Assy	427814
2	Electrostatic Filters Kit 11.5"x11.4	40328
3	Heat Recovery Cell 12"x12"x11.4	401651 x2
4	Kit Drain Plug Drain, T	40315 x2 410788
5	Kit,RV-CTRL, Replacement,EC H:F	428252
6	Rocker Switch	410213
7	Capacitors 30uF	412303
8	Auto-Transformer	414570
	Replacement Door Kit	445440
	Temperature Probe	40286
	Fuse (8 Amps)	414736
	MERV6 Filters	414911
	Wiring Diagram	427815
	Installation Manual	464080

Parts list • Liste des composantes

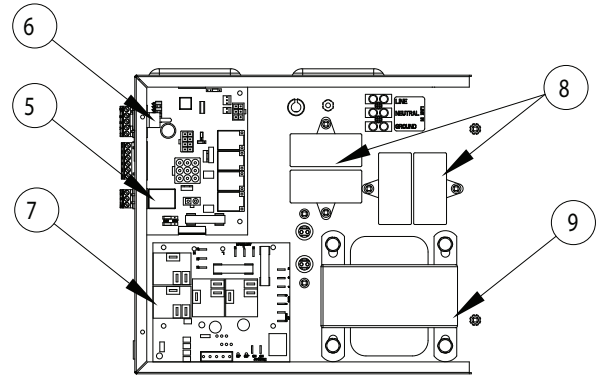
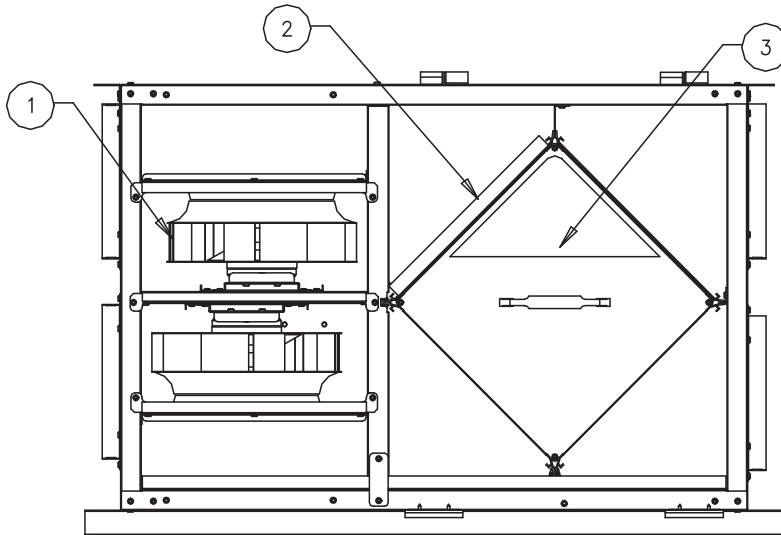
LCH-7H



BOM #	Description	LCH-7H (463301)
1	Motor Assy	427814
2	Electrostatic Filters Kit 11.5" x 15"	40482
3	Heat Recovery Cell 12" x 12" x 15"	402064 x2
4	Kit Drain Plug	40315 x2
	Drain, T	410788
5	Kit,RV-CTRL, Replacement,EC H:F	428252
6	Rocker Switch	410213
7	Capacitors 30uF	412303
8	Auto-Transformer	414570
	Temperature Probe	40286
	Fuse (8 Amps)	410432
	Kit,Door,LCH-4-7-12	445440
	MERV6 Filters	40458
	Wiring Diagram	427973
	Installation Manual	444855

Parts list • Liste des composantes

LCH-12H



BOM #	Description	LCH-12H (463302)
1	Motor Assy	427814
2	Electrostatic Filters Kit 11.5" x 15"	40459
3	Heat Recovery Cell 12" x 12" x 15"	402064 x3
4	Kit Drain Plug	40315 x2
	Drain, T	410788
5	Kit,RV-CTRL, Replacement,EC H:F	428252
6	Rocker Switch	410213
7	PCB, HCE	428449
8	Capacitors 30uF	412303
9	Auto-Transformer	412454
	Temperature Probe	40286
*	Fuse (12 Amps)	412479
*	Fuse (15 Amps)	414618
	Kit,Door,LCH-4-7-12	445440
	MERV6 Filters	40460
	Wiring Diagram	427974
	Installation Manual	464080

* Refer to Wiring diagram for proper fuse size

* Reportez-vous au schéma de câblage pour connaître la taille appropriée du fusible

Notes

Notes

Notes

Notes

Greentek reserves the right to make technical changes.
For updated documentation please refer to www.greentek.ca

Greentek se réserve le droit de faire des changements
techniques. Pour de la documentation à jour, s'il vous plaît se
référer au www.greentek.ca

Greentek

Greentek

